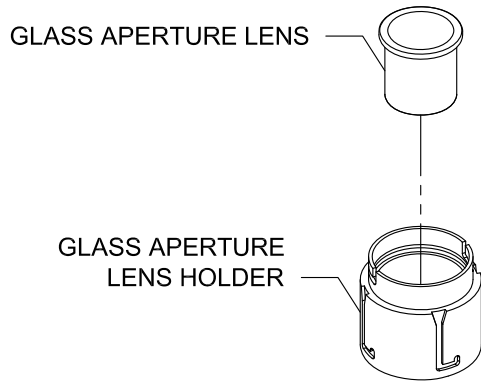
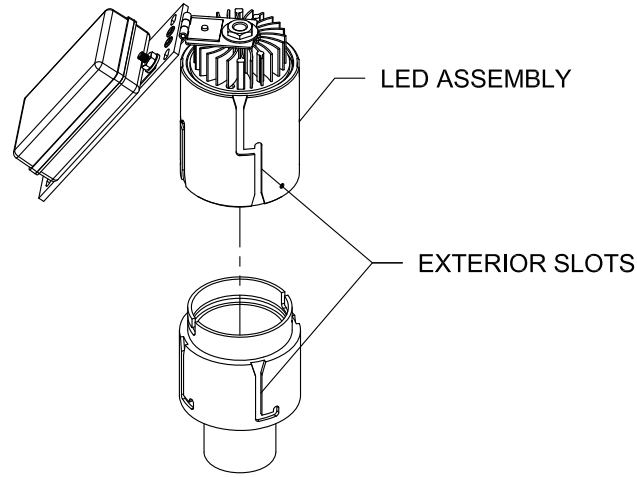


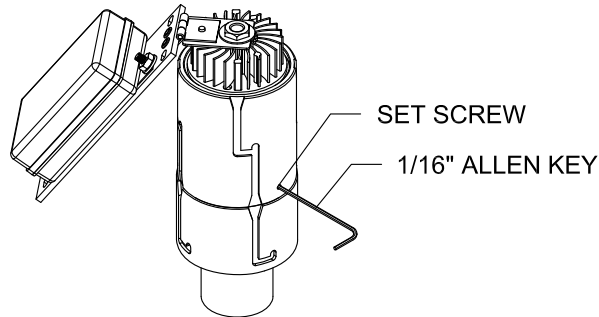
# 4500 GLASS APERTURE INSTALLATION LEDX



**FIG 1**



**FIG 2**



**FIG 3**

**1.** Place Glass Aperture Lens into Glass Aperture Lens Holder. (FIG 1)

**2.** Insert Glass Aperture Holder into LED Assembly. Aligning slots on Glass Aperture Lens Holder with pins inside of the LED assembly. Turn clockwise until assembly stops ensuring exterior slot are aligned. (FIG 2)

**3.** After Glass Aperture Lens holder has been inserted into LED Assembly. Use 1/16" Allen Key to tighten set screw. (FIG 3)



**SPECIALTY LIGHTING  
INDUSTRIES, INC.**

1306 DORIS AVENUE, OCEAN, NJ 07712 USA

[www.specialtylightingindustries.com](http://www.specialtylightingindustries.com)

800.462.7812 732.517.0800 FAX 732.517.0971