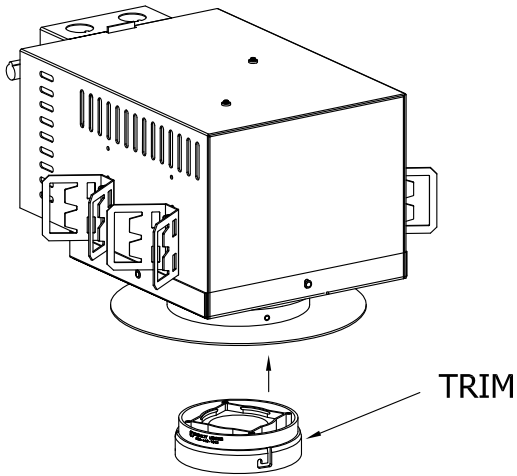
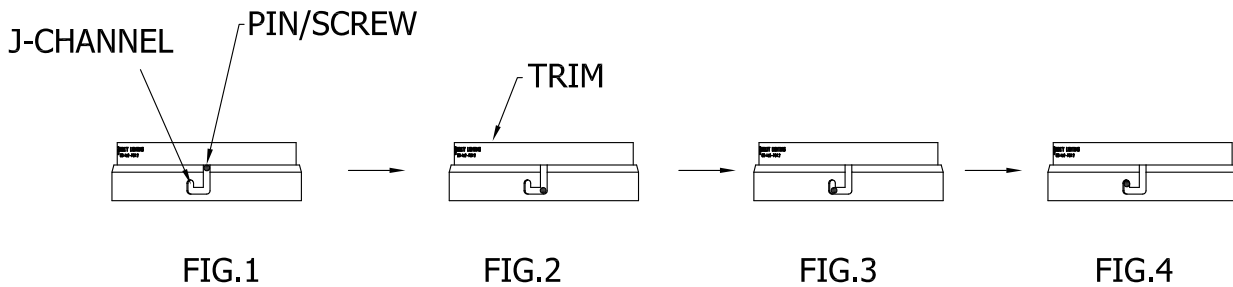


1000/1001 TRIM INSTALLATION INSTRUCTION



1. After housing and collar have been installed and ceiling has been finished, insert trim from below by aligning j-channels in trim with pins/screws visible in collar as shown in Fig. 1.

2. Push trim up, turn clockwise and then release as shown in Figs. 2-4. Trim locks in to the collar, as shown in Fig. 4.



SPECIALTY LIGHTING
INDUSTRIES, INC.

1306 DORIS AVENUE, OCEAN, NJ 07712 USA

800.462.7812

www.specialtylightingindustries.com

732.517.0800 FAX 732.517.0971