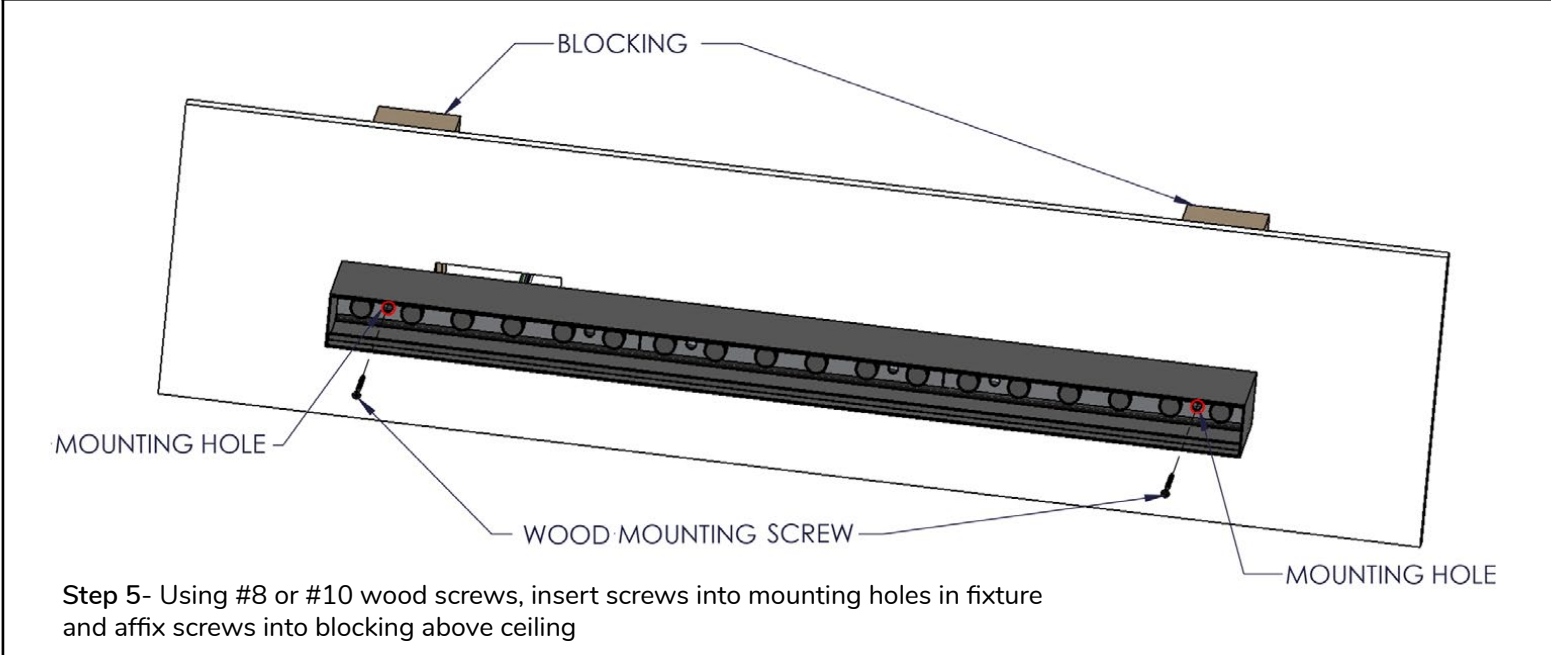
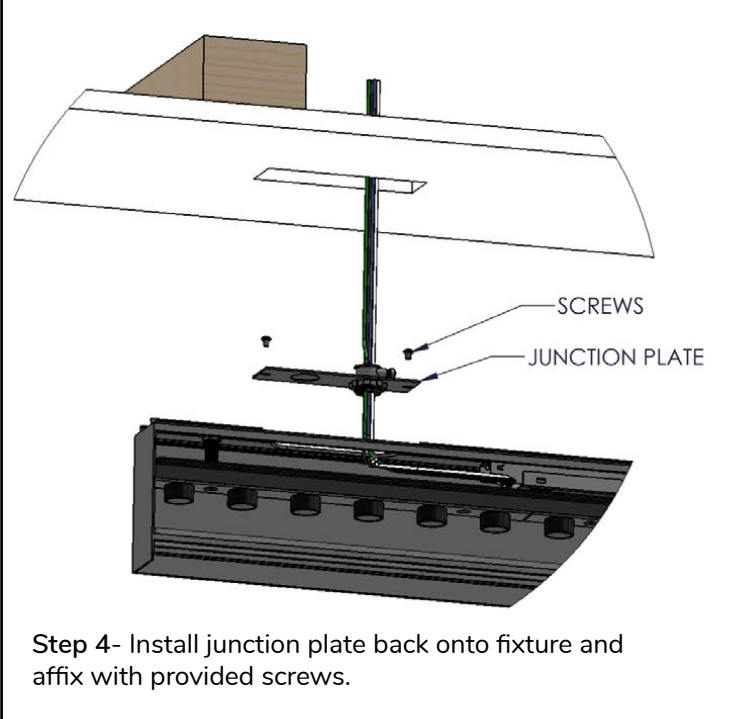
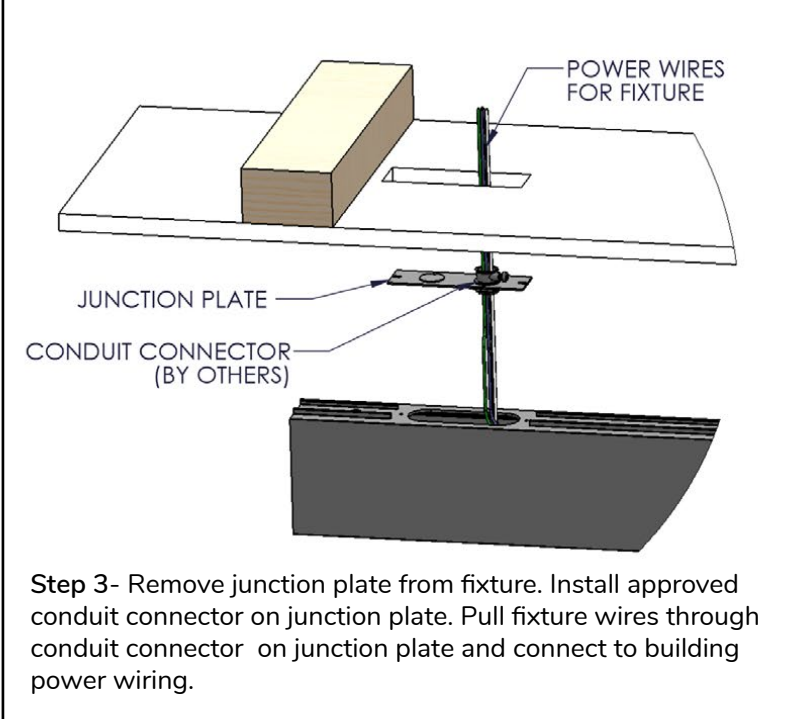
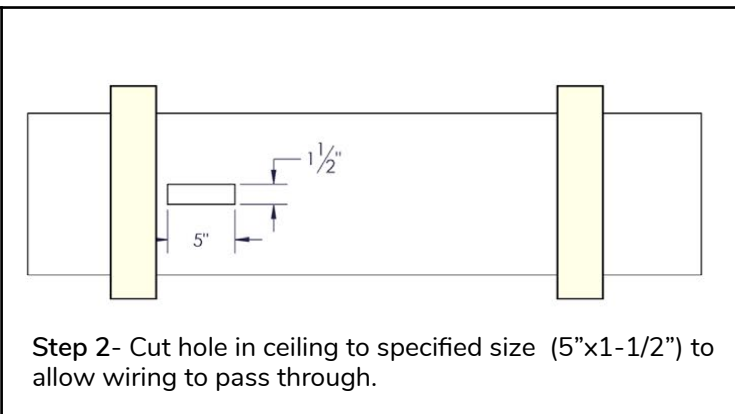
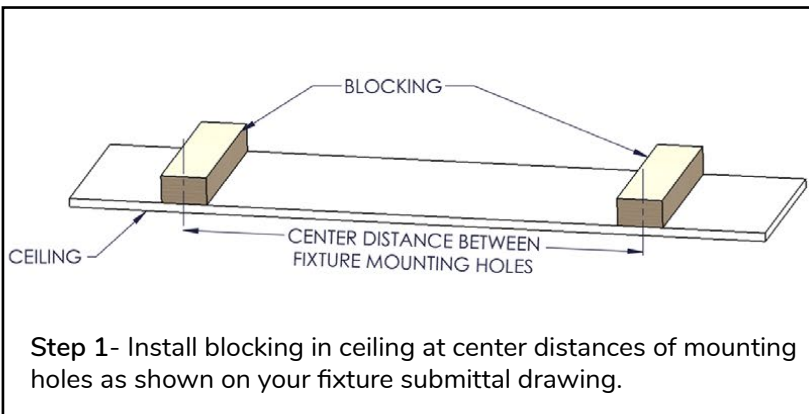


800-804 Surface Mount Install



Note: This product must be installed in accordance with the applicable installation code by a person familiar with the construction and operation of the product hazards involved. It is recommended these products be installed by a qualified electrician.