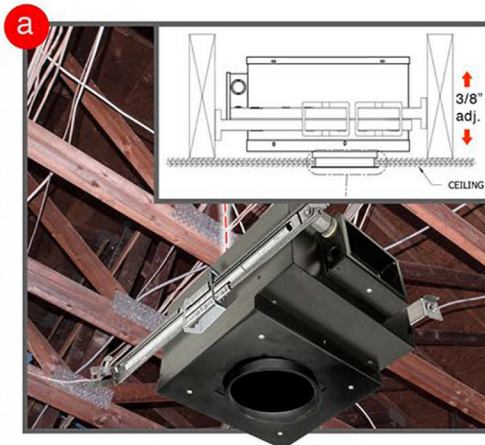
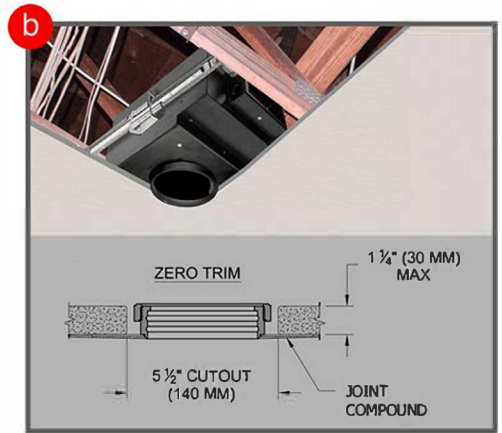




Exposed Ceiling Joists. Connect all wiring for housing before GWB installation.



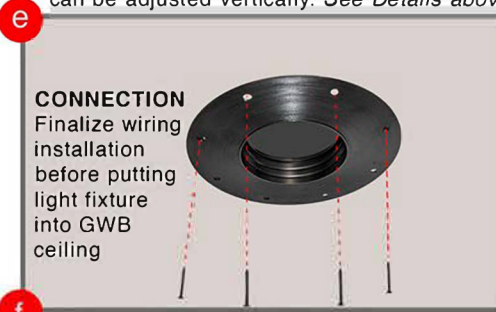
Step A- Adjustable Mounting Rails anchor housing to ceiling joists with screws. Housing can be adjusted vertically. See Details above.



Step B- After housing is secured, finish ceiling installation.



Ceiling cutout size for Round trim $4 \frac{3}{4}$ "



CONNECTION
Finalize wiring installation before putting light fixture into GWB ceiling



CLOSEUP
Plaster receiver screws into housing



Step E- With Plaster receiver tightly secure against GWB, add GWB screws to further secure plaster receiver.
Step F- Apply tape and joint compound (dry). Plaster over ceiling and receiver.



Step G- Multi-layer plaster job over GWB ceiling. Paint over plaster finish.



IMPORTANT
Ball Plunger on round trim needs to click into grooves in plaster receiver



trims available



FL



WW



DR



OR

Instruction Sheet for Panel (Wood, Metal)

Install
CR4D-RF
CR4D-RA
CR4WW-RF



Final step is to make sure trim is locked using either ball plungers or j-hook

NOTE- Fixture has vertical adjustability, except when plaster has been finished.