

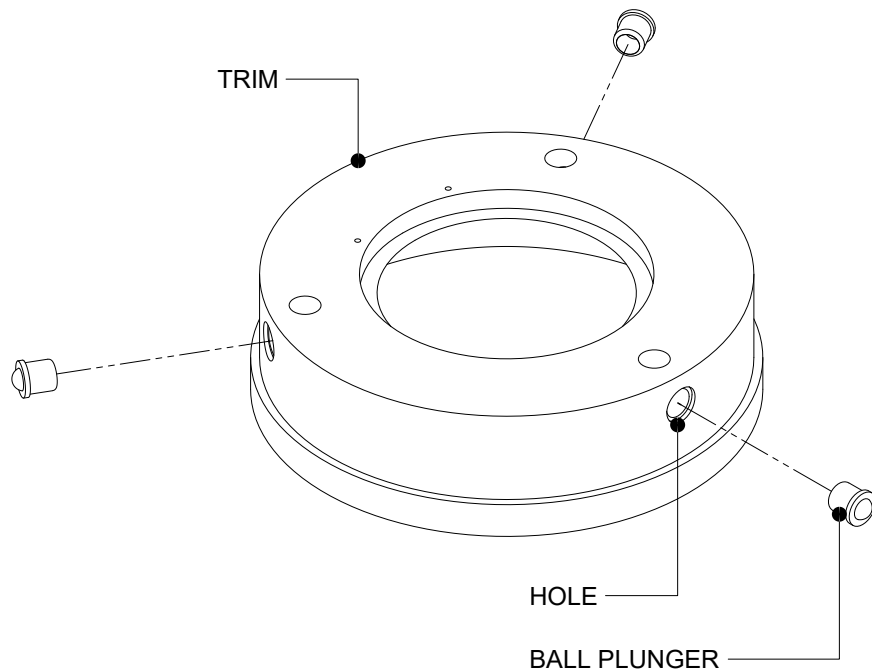
# Core Round Panel Mount Wood Trim Assembly Instructions

for CR4D-RA & CR4D-RF

## Step A

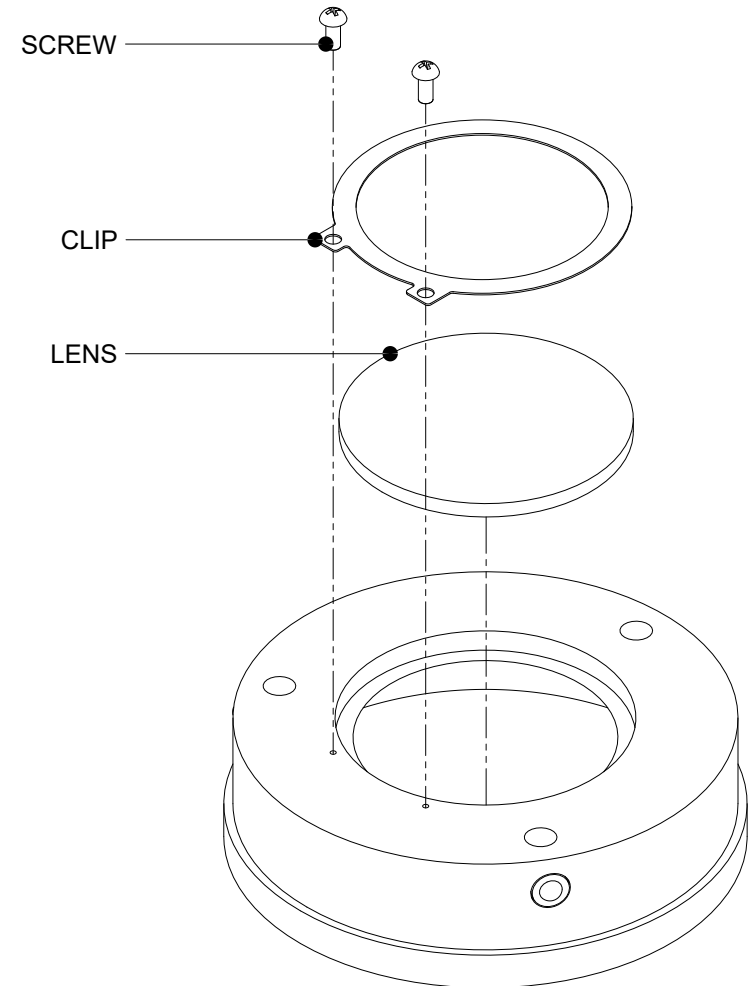
1. Press provided ball plungers into holes.

Note: Finishing of wood trim should be performed before installation of hardware to prevent damage to hardware from finishing products.



## Step B

1. Install lens and retaining clip with included screws.



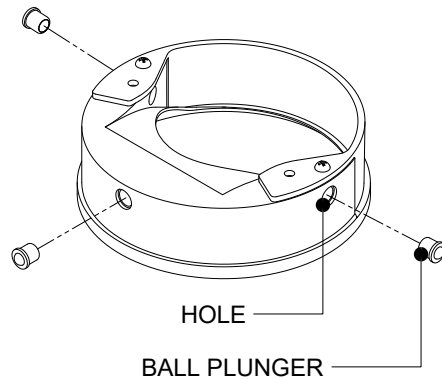
# Core Round Panel Mount Wood Trim Assembly Instructions

for CR4WW-RF

## Step A

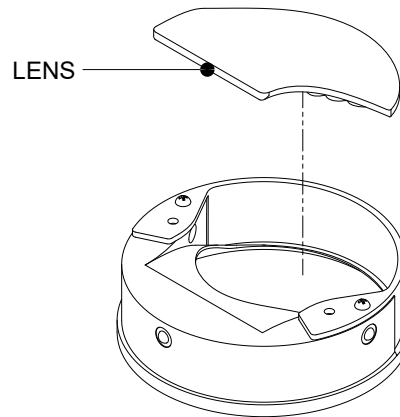
1. Press two front ball plungers into hole as indicated.

Note: Finishing of wood trim should be performed before installation of hardware to prevent damage to hardware from finishing products.



## Step B

1. install lens ribs side down into opening of trim.



## Step C

1. Install lamp holder assembly with provided screws if required.

