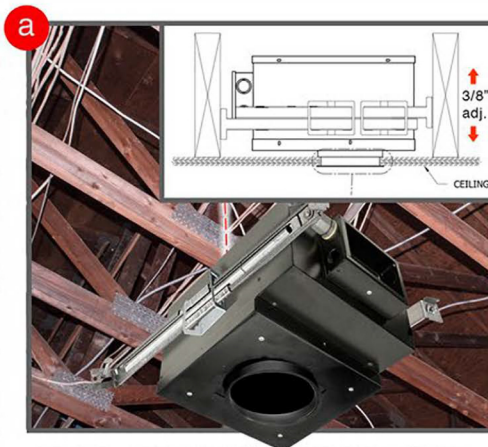
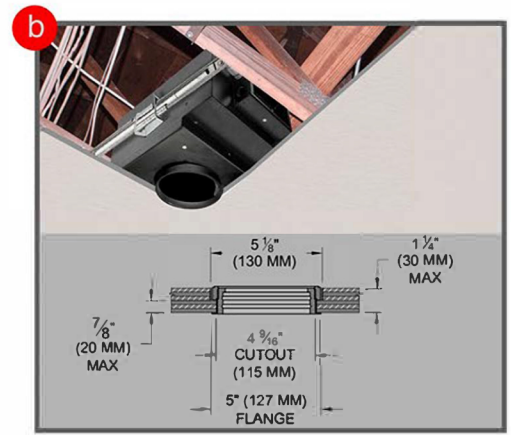




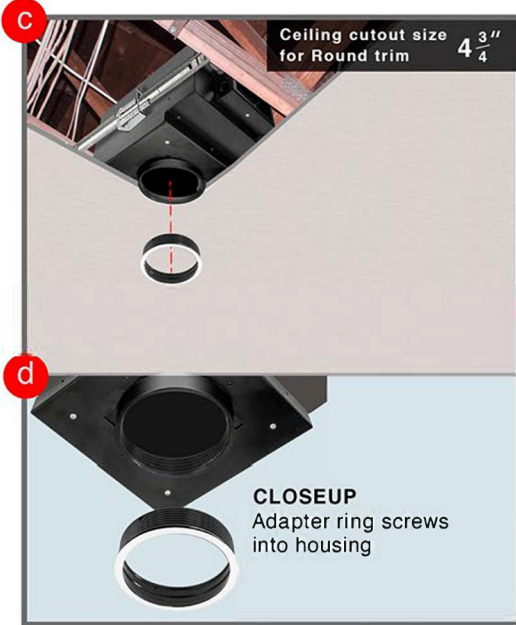
Exposed Ceiling Joists. Connect all wiring for housing before ceiling installation



Step A- Adjustable Mounting Rails anchor housing to ceiling joists with screws. Housing can be adjusted vertically. See Details above.



Step B- After housing is secured, finish ceiling installation.



Step C/D- Flanged collar gets screwed into housing. This is required for proper installation of round trim.



Step E- Flanged collar should be installed after painting, wood, metal ceiling has been prepped. Screw flanged collar into housing.
Step F- Slide lamp assembly into collar.



Step G- Position trim to face wall (See below for proper trim position.).

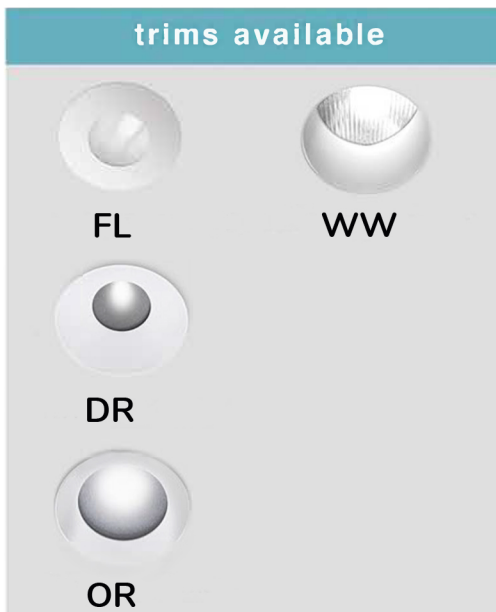


IMPORTANT!
Ensure that trim is aimed at wall properly



→ → →
Illuminated Wall

Final step is to make sure trim is locked using ball plungers



Instruction Sheet for Panel (Wood, Metal)

- Install
- CR4D-RF
- CR4D-RA
- CR4WW-RF

