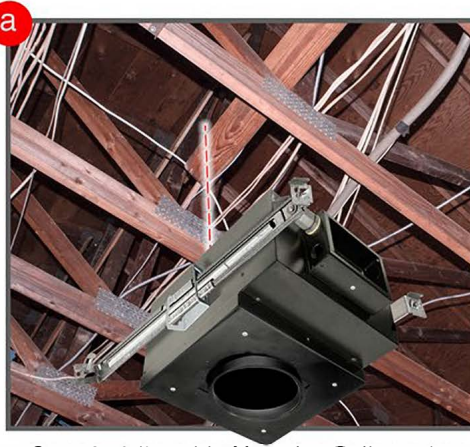
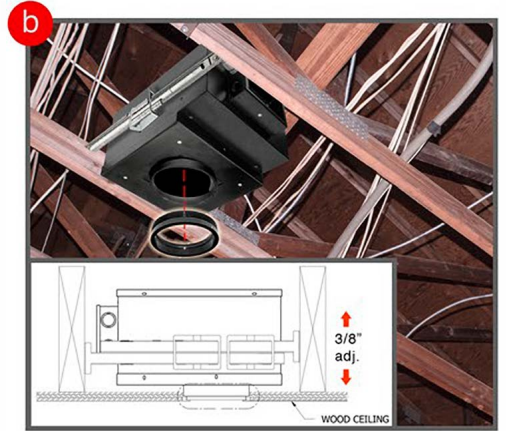




Exposed Ceiling Joists. Connect all wiring for housing before ceiling installation.



Step A- Adjustable Mounting Rails anchor housing to ceiling joists with screws. Housing can be adjusted vertically.



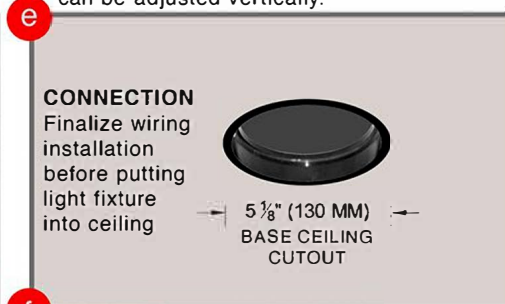
Step B- After housing is secured, install panel collar into housing.



Ceiling cutout size for Round trim $5 \frac{1}{8}$ "

CLOSEUP
Panel collar screws into housing throat

Step C/D- Secure panel collar to housing by screwing (clockwise) into housing. Bottom of collar is installed before ceiling is put in. Collar cannot be below ceiling as this will adversely effect panel ceiling installation.



CONNECTION

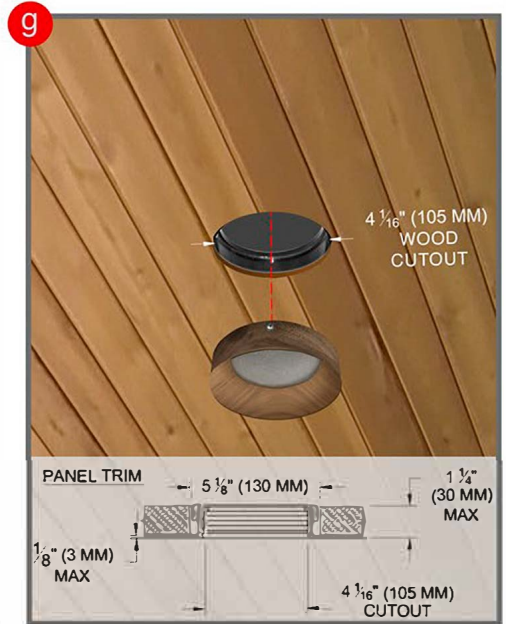
Finalize wiring installation before putting light fixture into ceiling



$5 \frac{1}{8}$ " (130 MM) BASE CEILING CUTOUT



Step E- Install base ceiling and cutout round opening in ceiling to fit around collar diameter.
Step F- Start installing panel ceiling over existing base ceiling. Cutout round area for panels to fit and conceal the panel collar.



Step G- Ceiling cutout in panel ceiling needs to cover surface of collar. Panels cannot be more than 1/8" thick and needs to fit below collar rim (See Detail above.).

IMPORTANT
Ball Plunger on round trim needs to click into grooves in receiver

1016 & 1250
uses Ball Plunger locking system

1000 & 1001
uses J-hook. Align J hook with pin on housing, turn clockwise to lock

*Trim in view is 1016- Round Panel trim

trims available

1000- Round Panel

1250- Round Panel

1001- Round Panel

1016- Round Panel

**Instruction sheet for
Panel (Wood, Metal)
Install
1000, 1001,
1016, 1250**



Final step is to make sure trim is locked using either ball plungers or j-hook

ROUND PANEL TRIM CEILING INSTALLATION

for 1000 / 1001 / 1016 / 1250

