

Installation Instructions

Core 4" Round Flangeless Trim - Plaster Housing

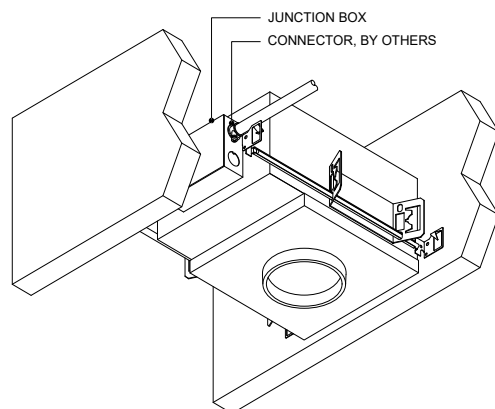
for CR4D-RA, CR4D-RF, CR4WW-RA, CR4WW-RF, CR4MD-RDH and CRV4D-RA

Cautions and Warnings

1. This product must be installed in accordance with the applicable installation code by a licensed electrician familiar with the construction and operation of the product and hazards involved.
2. Power must be OFF when connecting the fixture. "hot plugging" the light engine and driver will damage the LED source.
3. The light engine is low voltage and is factory wired to the driver DO NOT CONNECT LIGHT ENGINE TO MAINS AC POWER.
4. LEDs should be protected from dust and debris during installation and maintenance.
5. Polarity is important. Black must be connected to black and red connected to red.
6. Not designed for use as temporary lighting.

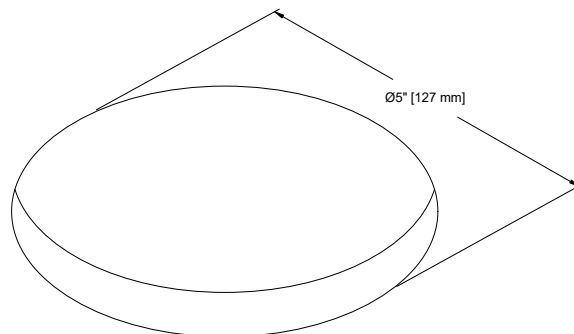
Step B

Make electrical connections in junction box.



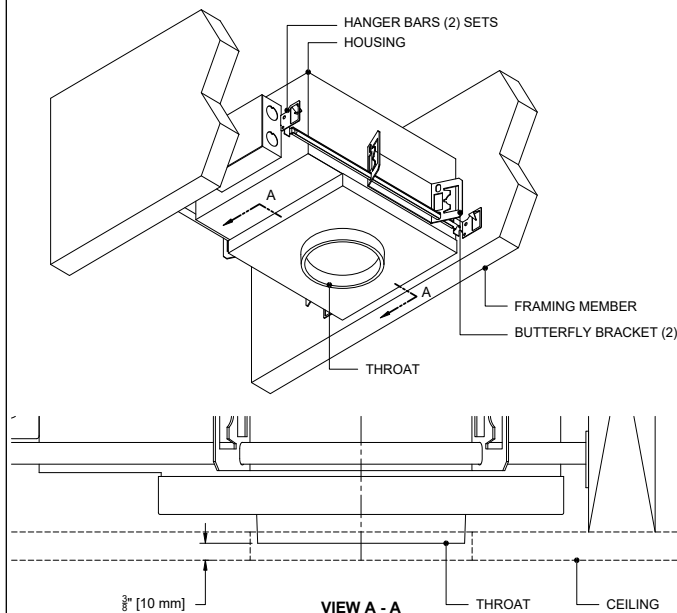
Step C

Cut Ø5" [127 mm] cut-out in ceiling.



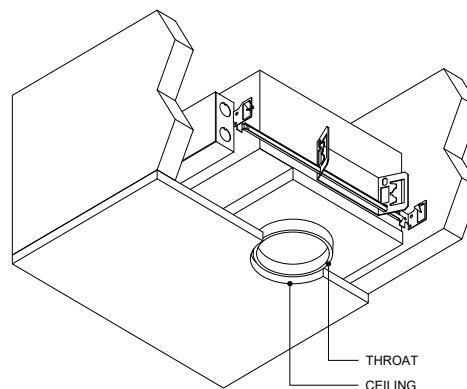
Step A

Mount housing to structure using included hanger bars. Mount housing so that face of throat is 3/8" A.F.F. or from face of ceiling.



Step D

Install ceiling ensuring the center of the cut-out aligns with center of housing throat.



** LED'S SHOULD BE PROTECTED FROM DUST AND DEBRIS DURING INSTALLATION AND MAINTENANCE

[Click here to read full Care and Maintenance](#)

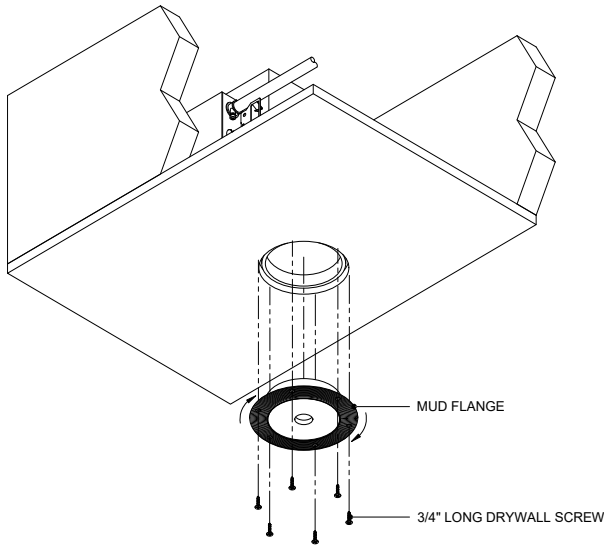
Installation Instructions

Core 4" Round Flangeless Trim - Plaster Housing

for CR4D-RA, CR4D-RF, CR4WW-RA, CR4WW-RF, CR4MD-RDH and CRV4D-RA

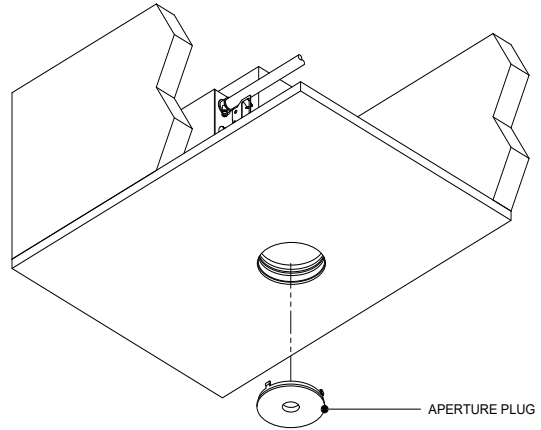
Step E

Install mud flange by threading flange clockwise into throat until flange is flush against ceiling. Install 3/4" long drywall screws through countersink holes in plaster flange.



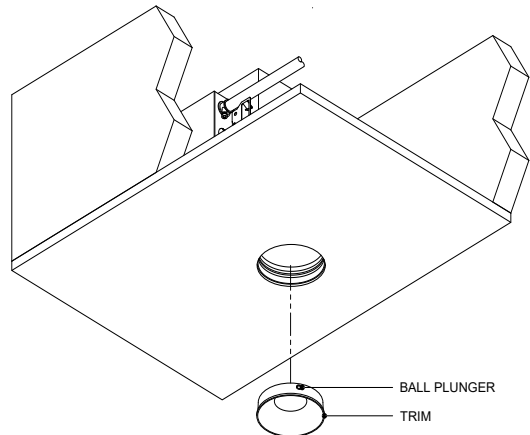
Step G

After ceiling is finished, remove installed aperture plug.



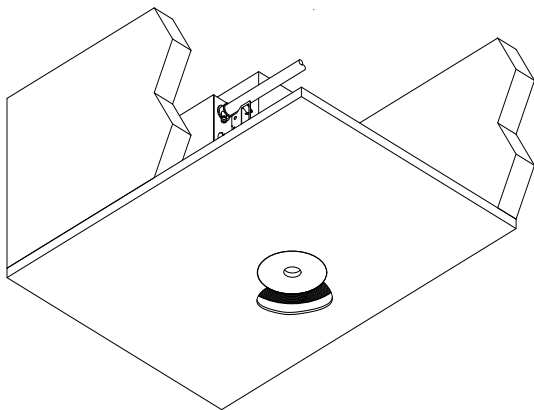
Step H

Push trim into opening until ball plungers catch the retainers.



Step F

Finish ceiling, including mudding or plastering mud flange. (Take care not to get paint or joint compound inside opening of mud flange.)



Step I

Remove trim by pulling downward on trim until ball plungers disengage from retainers.

