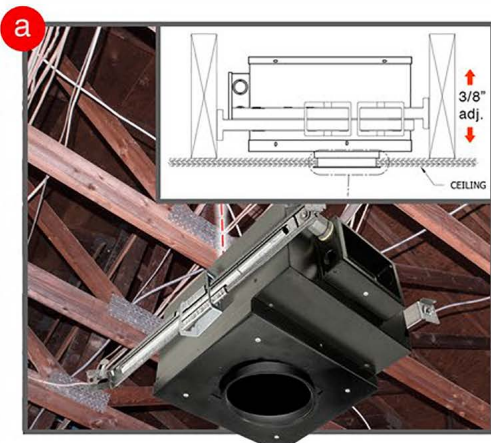
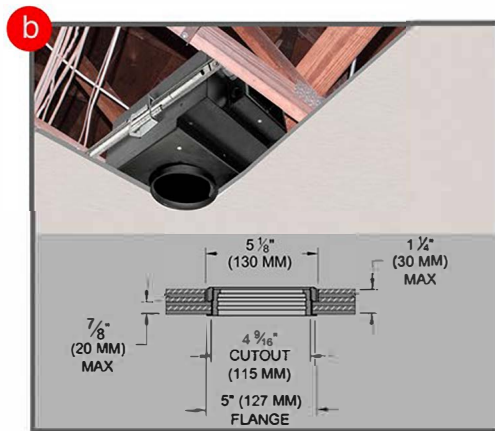




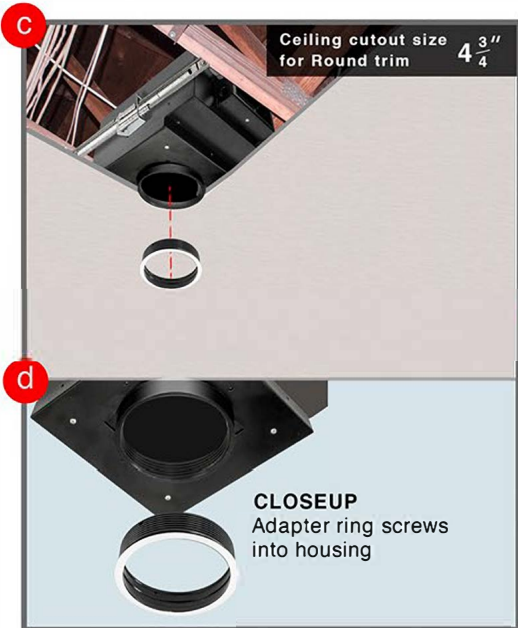
Exposed Ceiling Joists. Connect all wiring for housing before GWB installation



**Step A-** Adjustable Mounting Rails anchor housing to ceiling joists with screws. Housing can be adjusted vertically. See *Details* above.



**Step B-** After housing is secured, finish ceiling installation.



**Step C/D-** Flanged collar gets screwed into housing. This is required for proper installation of round trim.



**Step E-** Flanged collar should be installed after painting, wood, metal ceiling has been prepped. Screw flanged collar into housing.  
**Step F-** Hook lamp assembly bi-pin into lamp socket.



**Step G-** Slide Lamp assembly into collar.

**IMPORTANT**  
Ball Plunger on round trim needs to click into grooves in receiver

1250 uses Ball Plunger locking system

\*Trim in view is 1250WW - Round Flange Trim

**IMPORTANT!**  
Ensure that trim is aimed at wall properly

→ → →  
Illuminated Wall

trims available

1250- Round Flange

**MR-16 Wall Wash  
NIC/IC Rated Flanged Round  
Trim with Housing  
Instruction Sheet for  
1250WW**



Final step is to make sure trim is locked using ball plungers