

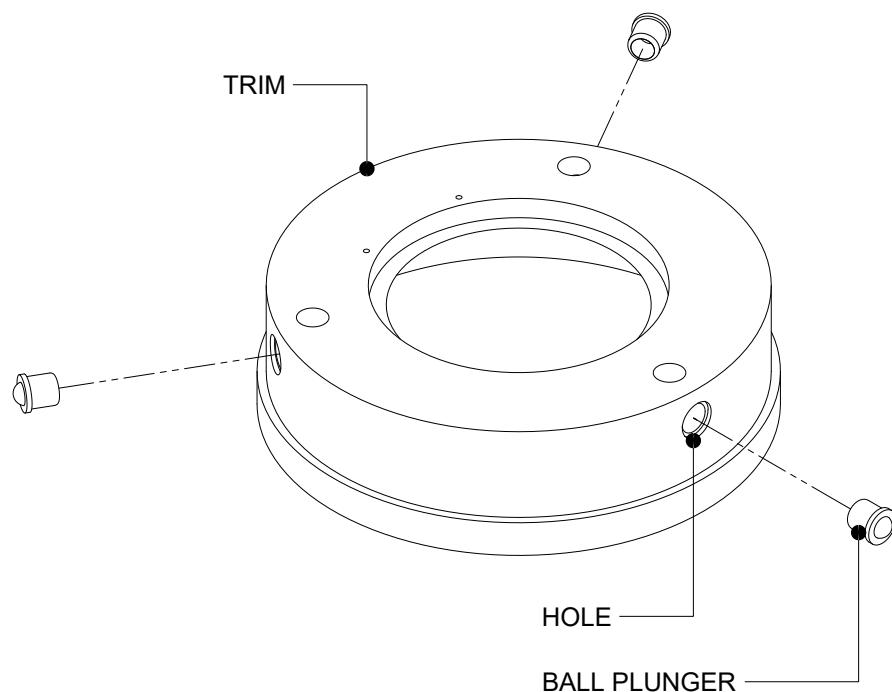
Core Round Panel Mount Wood Trim Assembly Instructions

for CR4D-RA, CR4D-RF, CR4WW-RF and CR4D-RA

Step A

1. Press provided ball plungers into holes.

Note: Finishing of wood trim should be performed before installation of hardware to prevent damage to hardware from finishing products.



Step B

1. Install lens and retaining clip with included screws.

