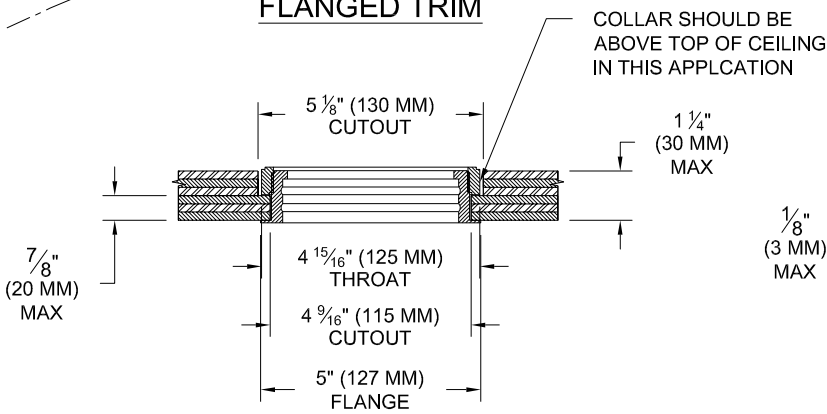
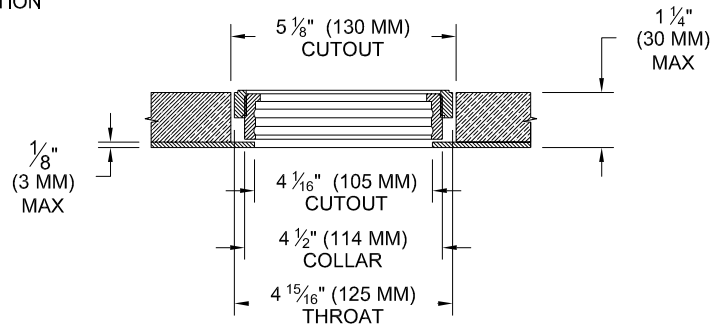


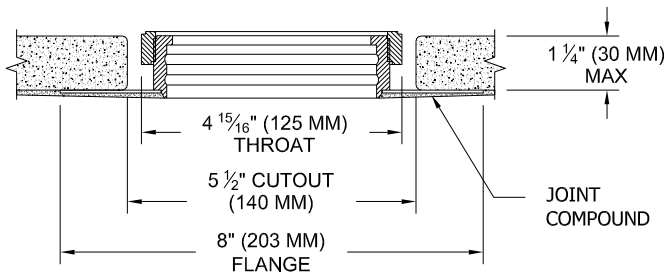
FLANGED TRIM



PANEL TRIM



ZERO TRIM



1. INSTALL HOUSING USING MOUNTING BARS (BY OTHERS) THROUGH BUTTERFLY BRACKETS ATTACHED TO HOUSING. ENSURE THAT COLLAR IS ABOVE TOP OF CEILING

2. THREAD COLLAR INTO THROAT UNTIL FLANGE IS FIRMLY AGAINST CEILING

3. IF INSTALLATION IS FOR PLASTER COLLAR. AFTER PLASTER FLANGE IS SEATED AGAINST CEILING. FINISH CEILING WITH WALLBOARD COMPOUND AND SAND

4. INSTALL TRIM

PANEL TRIM INSTRUCTIONS CONSULT FACTORY

**NOTE: SIZES ON HOUSING WILL VARY
SEE TECH SHEETS FOR DIMENSIONS**