

# Installation Instructions

## Confetti Round Flangeless

for CF1 type D-RM (Monopoint), D-RF (Fixed Downlight), WW-R (Wall Wash)



### Cautions and Warnings

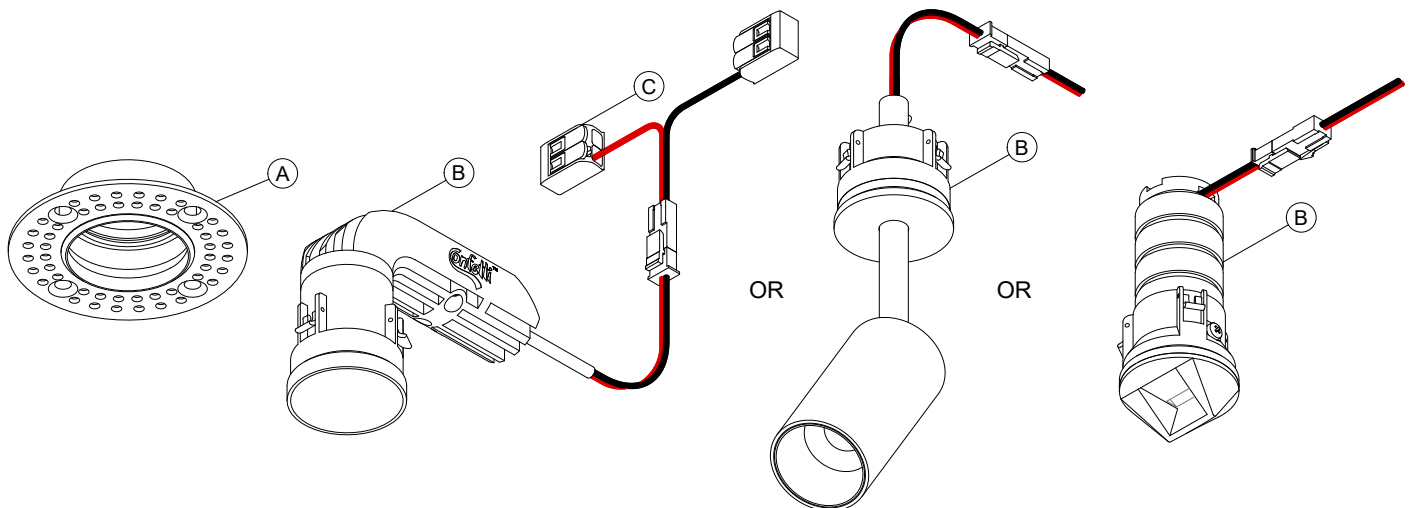
1. This product must be installed in accordance with the applicable installation code by a person familiar with the construction and operation of the product and hazards involved.
2. Power must be OFF when connecting the fixture. "hot plugging" devices will damage the LED source.
3. The light engine is low voltage and must be connected to the Confetti Driver Box. **DO NOT CONNECT LIGHT ENGINE TO MAINS AC POWER.**
4. Polarity is important. Black must be connected to black and red connected to red.
5. LEDs should be protected from dust and debris during during installation and maintenance.
6. **DO NOT** daisy chain devices. Each light engine must be connected to a Confetti Driver Box port - 4 ports per Confetti Driver Box.
7. Confetti is IC (insulated ceiling) rated but **NOT** for spray foam insulation.
8. Not designed for use as temporary lighting.

### What you will need

1. Components in the box
2. Confetti Counter Bore Hole Saw (CFCBHS) - available for purchase - contact your local sales representative for ordering instructions.
3. (2) #8 drywall screws  $\leq 1"$  in length.
4. Construction adhesive.
5. Painter's tape.

### What is in the Box?

- A. (1) Flangeless trim and receiver
- B. (1) Light engine with wire quick connects and harness with flying leads (Note: See below for remote wire run guidance.)
- C. (2) Lever nuts



\*\* LED'S SHOULD BE PROTECTED FROM DUST AND DEBRIS DURING INSTALLATION AND MAINTENANCE

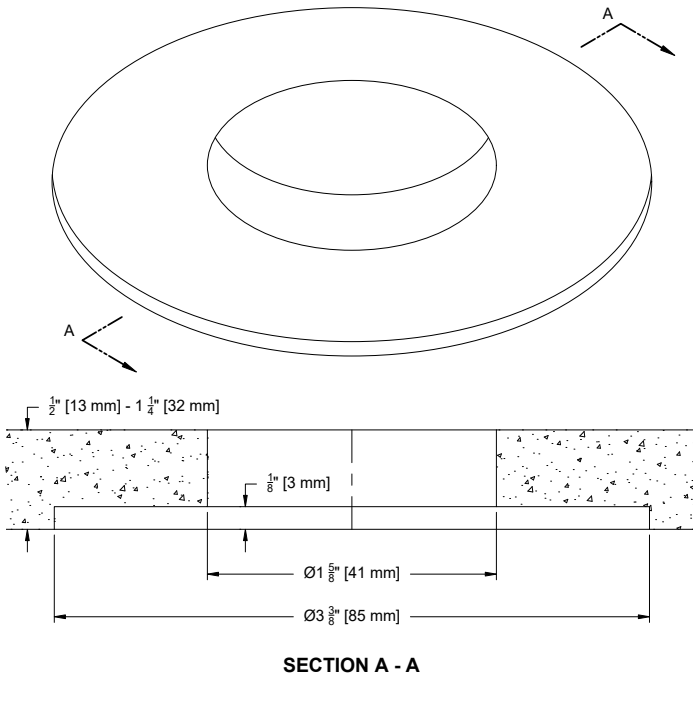
[Click here to read full Care and Maintenance](#)

# Installation Instructions Confetti Round Flangeless

for CF1 type D-RM (Monopoint), D-RF (Fixed Downlight), WW-R (Wall Wash)

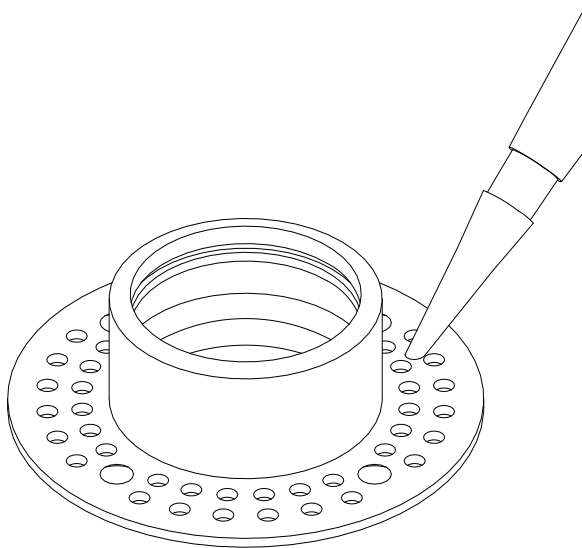
## Step A

Cut hole and counter bore using Confetti Counter Bore Hole Saw (CFCBHS)



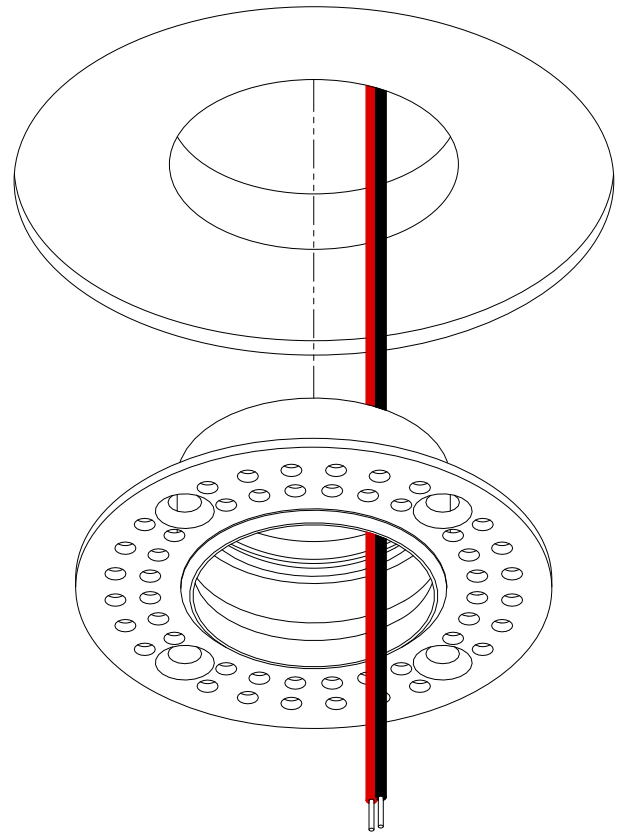
## Step B

Place bead of construction adhesive around back side of plaster flange.



## Step C

1. Pull low voltage wires through hole and plaster flange/receiver.
2. Insert plaster flange/receiver into hole.

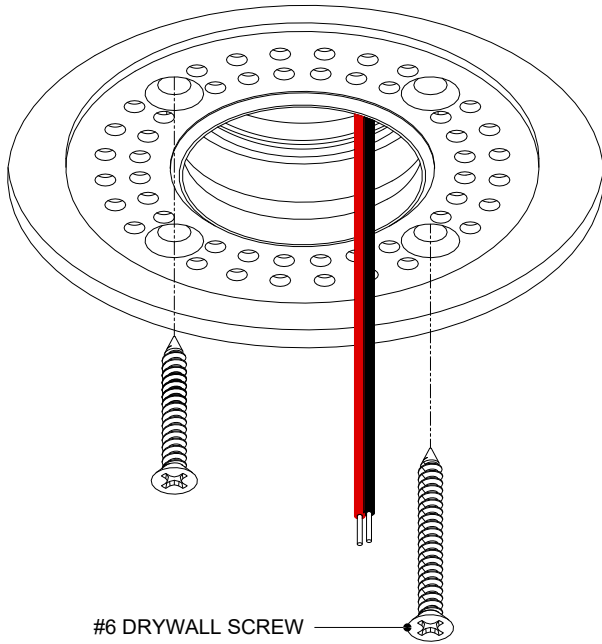


# Installation Instructions Confetti Round Flangeless

for CF1 type D-RM (Monopoint), D-RF (Fixed Downlight), WW-R (Wall Wash)

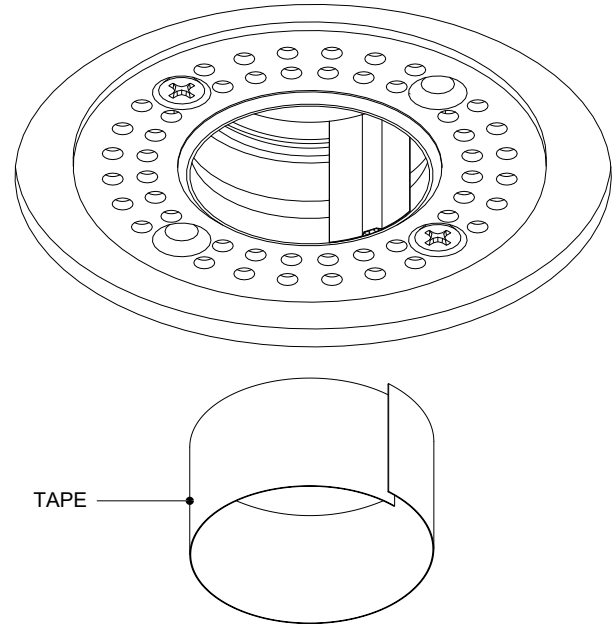
## Step D

1. Fasten plaster flange/receiver to drywall with two #6 drywall screws.
2. Remove any extra construction adhesive protruding below surface of plaster flange/receiver.



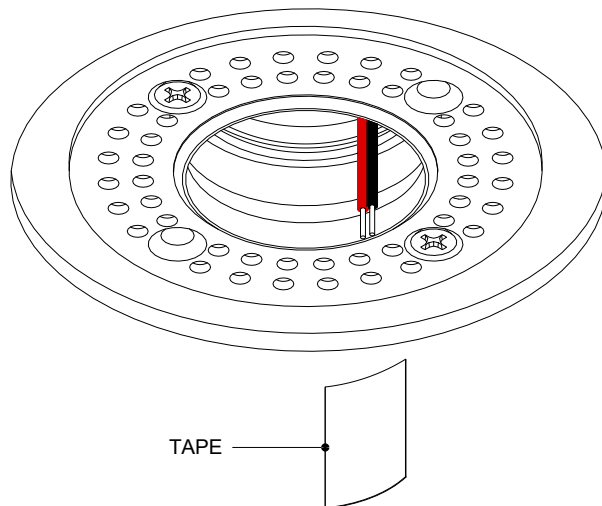
## Step F

Mask inside surface of plaster flange with painters tape to protect inside surface from debris, dirt and paint.



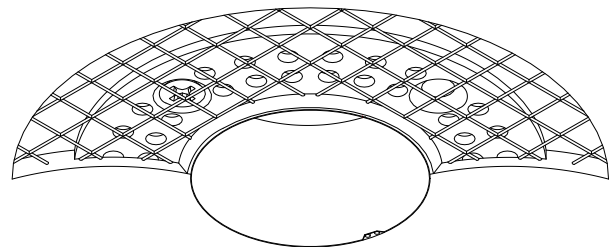
## Step E

Secure low voltage wires to inside of plaster flange/receiver with tape. Allowing access after ceiling is finished.



## Step G

1. Apply and finish joint compound over plaster flange to create flush continuous surface.
2. Paint ceiling assuring no paint enters inside of plaster flange/receiver.
3. Paint ceiling assuring no paint enters inside of plaster flange/receiver.

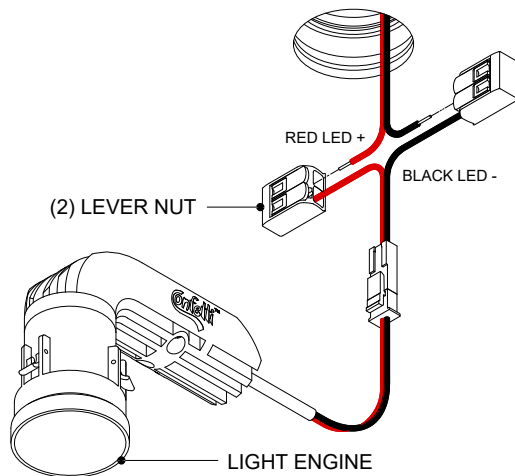


# Installation Instructions Confetti Round Flangeless

for CF1 type D-RM (Monopoint), D-RF (Fixed Downlight), WW-R (Wall Wash)

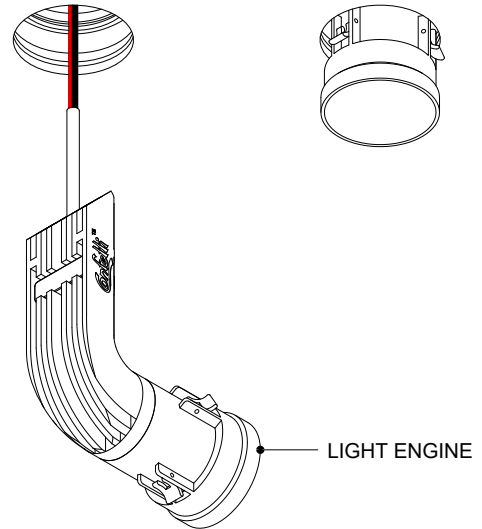
## Step H

1. Remove tape from inside plaster flange/receiver assuring no contaminants or residue are inside receiver.
2. Pull low voltage wire through plaster flange/receiver hole.
3. Connect leads from light engine of their respective leads with included lever nuts. ASSURE RED (+) IS CONNECTED TO RED AND BLACK (-) IS CONNECTED TO BLACK.



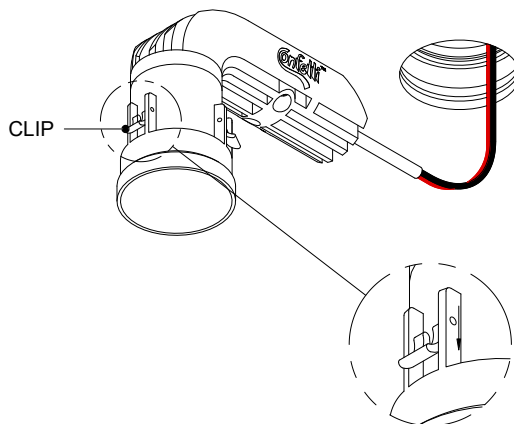
## Step J

Insert the light engine into the plaster flange/receiver. Assure the light engine is 'square' with trim/receiver and apply even pressure with both thumbs until the light engine snaps into place.



## Step I

Ensure plastic attachment clips are in the down position.



## Step K

To remove light engine apply even upward pressure until you hear the clips 'snap' to second position. The light will drop down through the hole. Repeat steps X1 and X2 to reinstall light engine.

