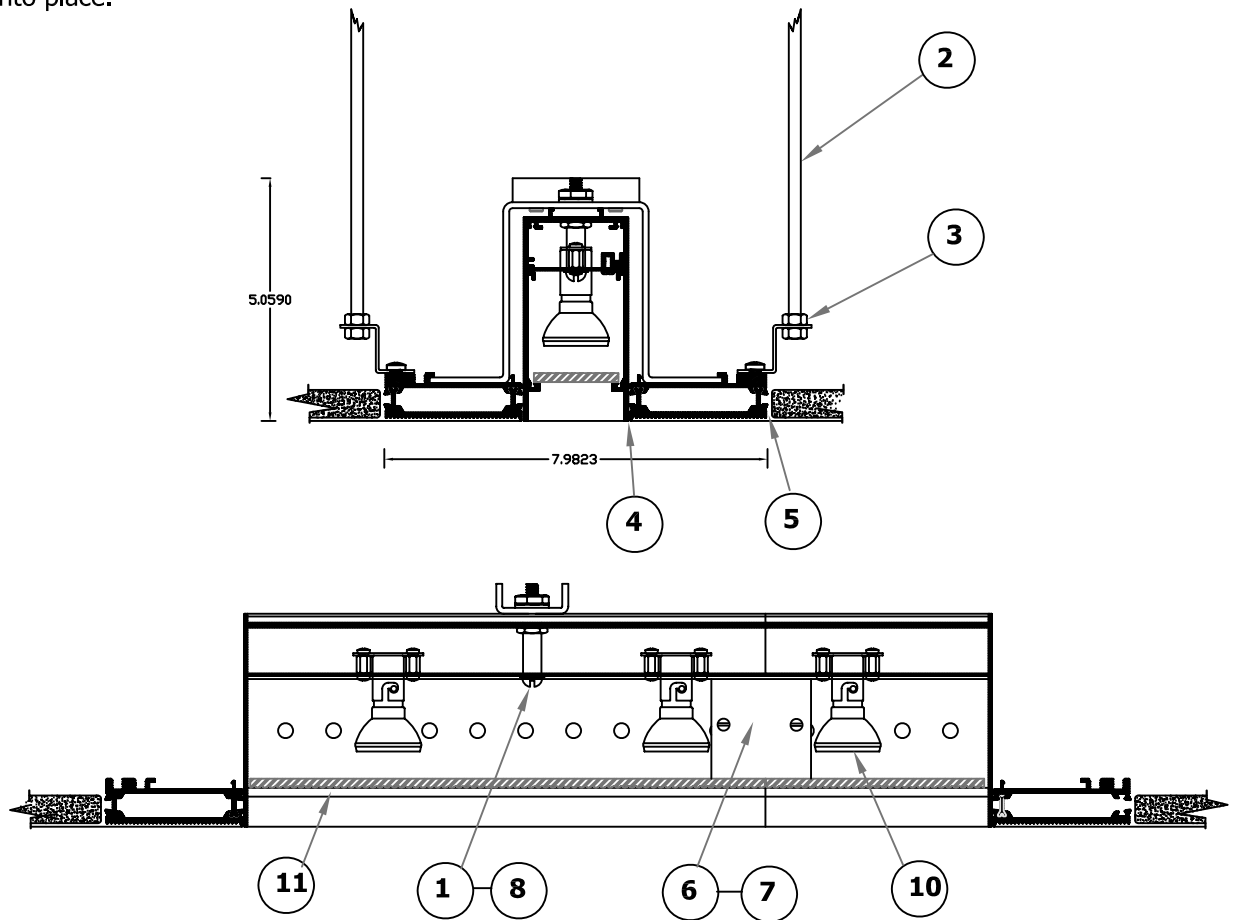


805PH INSTALLATION INSTRUCTIONS

1. Remove fixture housing from Ultrim frame by loosening the screw that goes through the wireway. Save this screw for later reattaching the housing.
2. Attach 1/4 20 threaded rod to structure.
3. Rigidly support ultrim frame from threaded rod with nuts on top and bottom of hanging bracket. Hanging bracket may be relocated along ultrim as necessary.
4. Align bottom of screed edge with level of finished ceiling.
5. Tape the joint between the gypsum board and Ultrim and apply compound over tape and up to screed edge. Do not accelerate drying time of compound.
6. For multi-section units install the joining plates into the channel on either side of the housing.
6. Raise housing to installed plaster frame and feed whip through flexible conduit.
7. Slide joining plate into both sections of fixture to create one long rigid housing.
8. Raise housing as a single unit up into the frame and reinstall mounting screw.
9. Make electrical connection at the remote transformer.
10. Install lamps
11. Tilt glass into place.



SPECIALTY LIGHTING
INDUSTRIES, INC.

1306 DORIS AVENUE, OCEAN, NJ 07712 USA

800.462.7812

www.specialtylightingindustries.com

732.517.0800 FAX 732.517.0971