

# Installation Instructions

## GrazeFall 2" Linear Lensed Wall Grazer - Plaster Flange

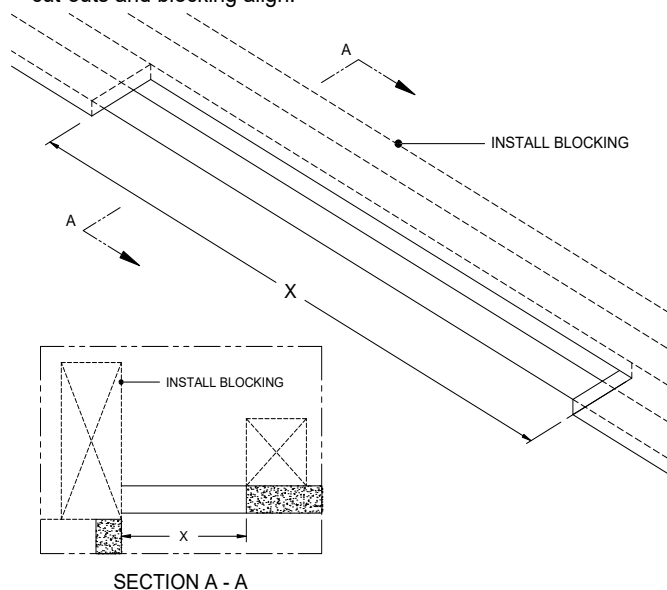
For GZ2L-RM-FL-Z-1U and GZ2L-RM-RL-Z-3U, GZ2L-RM-RL-Z-1U, GZ2L-RM-RL-Z-3U (One Sided)

### Cautions and Warnings

1. This product must be installed in accordance with the applicable installation code by a licensed electrician familiar with the construction and operation of the product and hazards involved.
2. Power must be OFF when connecting the fixture. "hot plugging" the light engine and driver will damage the LED source.
3. The light engine is low voltage and is factory wired to the driver DO NOT CONNECT LIGHT ENGINE TO MAINS AC POWER.
4. LEDs should be protected from dust and debris during during installation and maintenance.
5. Polarity is important. Black must be connected to black and red connected to red.
6. Not designed for use as temporary lighting.

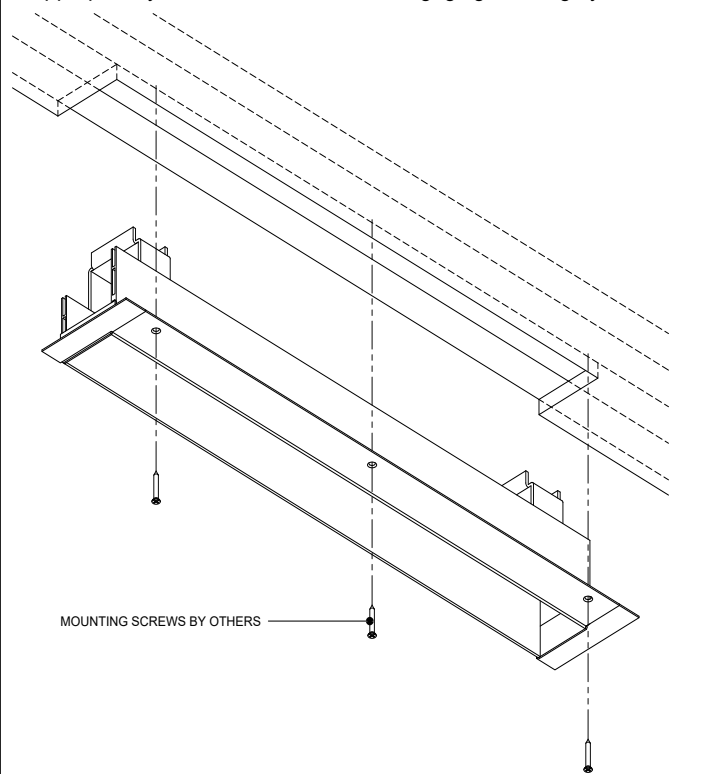
### Step A

Refer to cutsheet for ceiling cutout dimensions. Install blocking tied to framing based upon ceiling cut-out dimensions. Cut rectangular ceiling cut-out and install sheetrock so that ceiling cut-outs and blocking align.



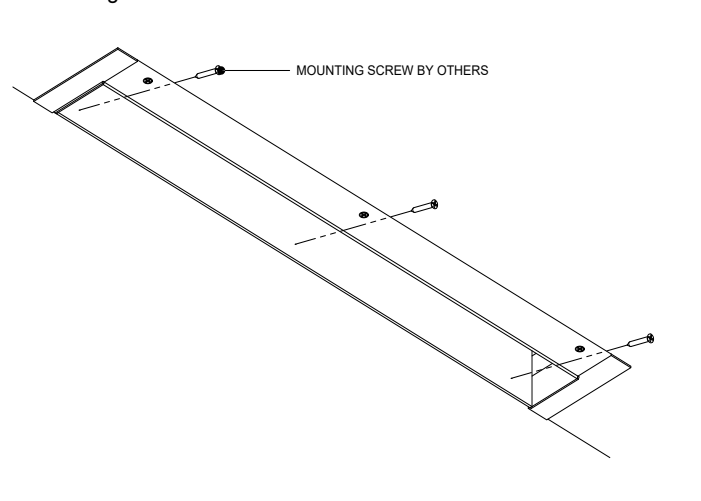
### Step B

Install frame to ceiling through ceiling into blocking using appropriately sized sheetrock screws engaging blocking by 3/4".



### Step C

Drive screws through frame into blocking behind frame to secure to ceiling.



\*\* LED'S SHOULD BE PROTECTED FROM DUST AND DEBRIS DURING INSTALLATION AND MAINTENANCE

[Click here to read full Care and Maintenance](#)

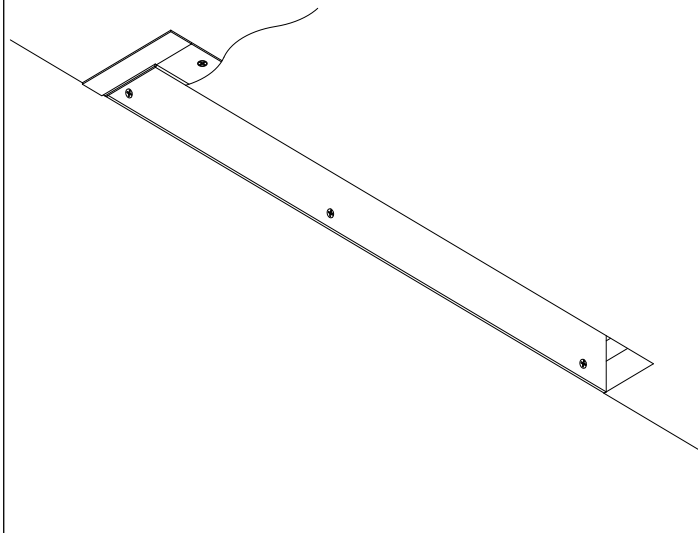
# Installation Instructions

## GrazeFall 2" Linear Lensed Wall Grazer - Plaster Flange

For GZ2L-RM-FL-Z-1U and GZ2L-RM-RL-Z-3U, GZ2L-RM-RL-Z-1U, GZ2L-RM-RL-3U (One Sided)

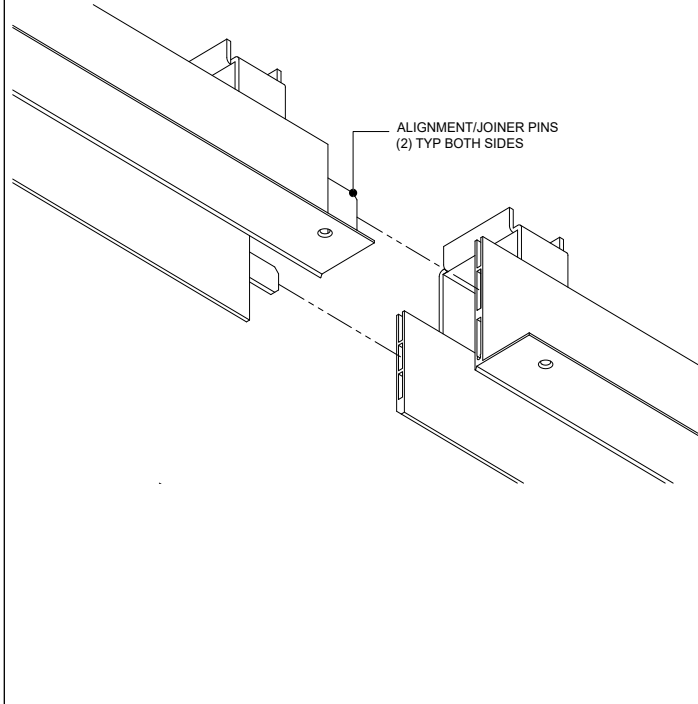
### Step D

Finish ceiling, including mudding or plastering mud flange. (Take care not to get paint or joint compound within frame.)



### Step E

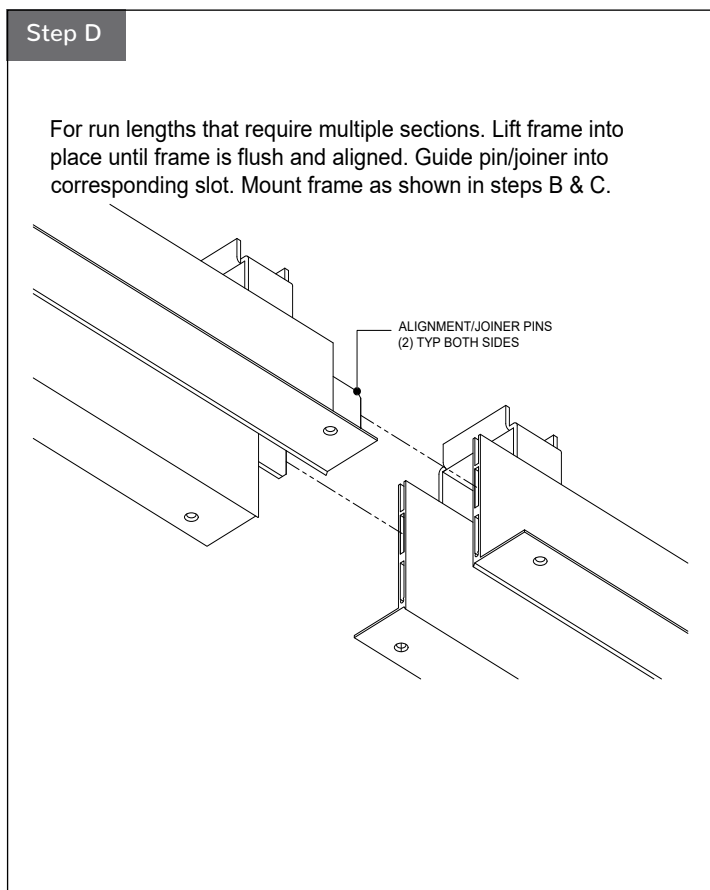
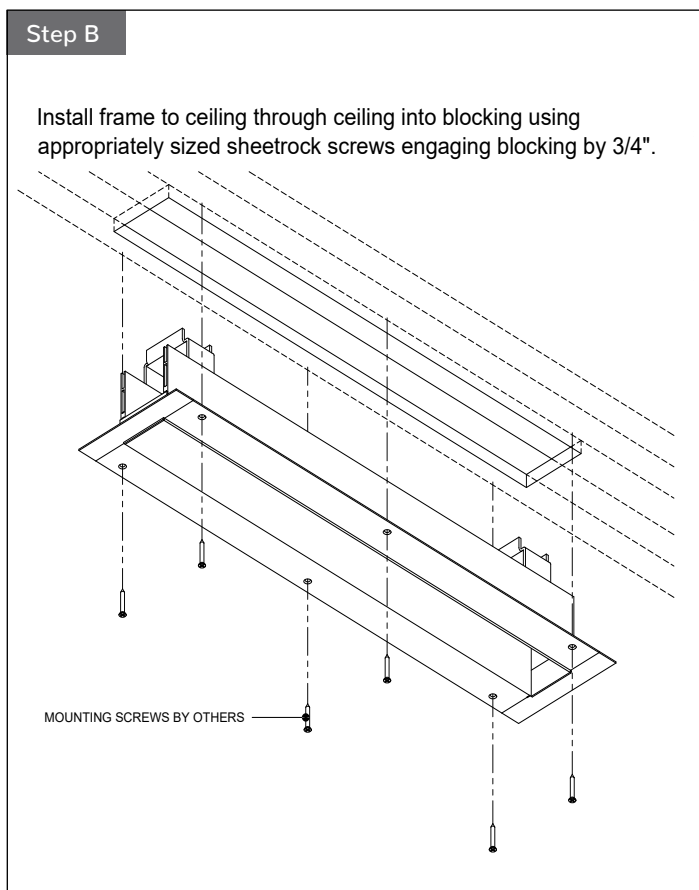
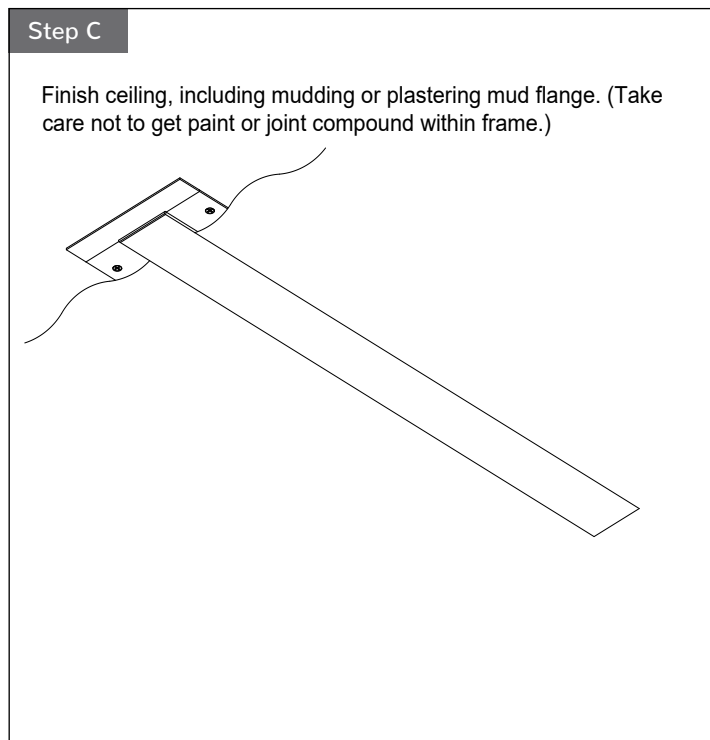
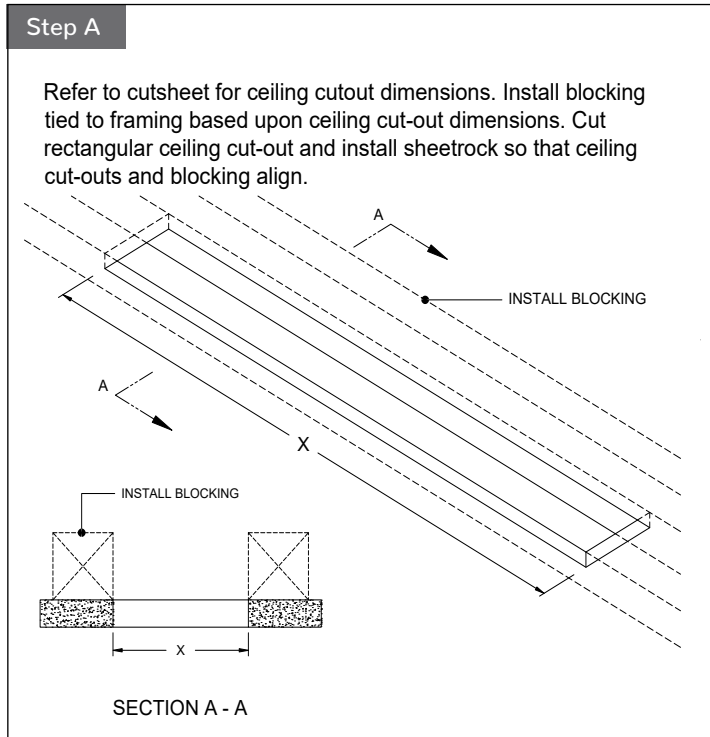
For run lengths that require multiple sections. Lift frame into place until frame is flush and aligned. Guide pin/joiner into corresponding slot. Mount frame as shown in steps B & C.



# Installation Instructions

## GrazeFall 2" Linear Lensed Wall Grazer - Plaster Flange

For GZ2L-RM-FL-Z-4U, GZ2L-RM-RL-Z-4U, and MU5-RM-Z-AP



**\*\* LED'S SHOULD BE PROTECTED FROM DUST AND DEBRIS DURING INSTALLATION AND MAINTENANCE**

[Click here to read full Care and Maintenance](#)

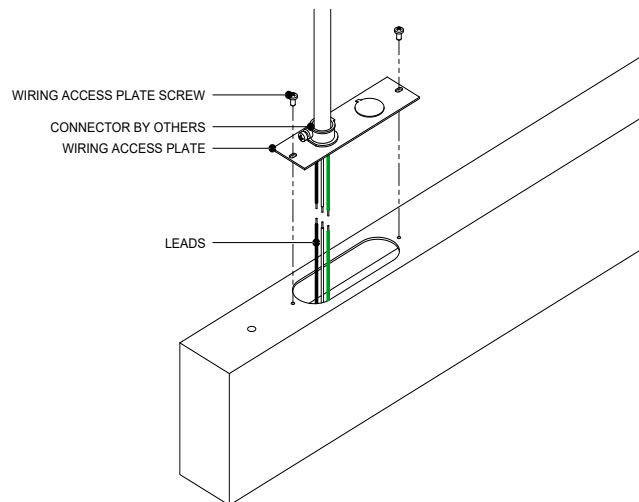
# Installation Instructions

## GrazeFall 2" Linear Lensed Wall Grazer - Housing Install

For GZ2L-RM-FL GZ2L-RM-RL, and MU5-RM-Z-AP

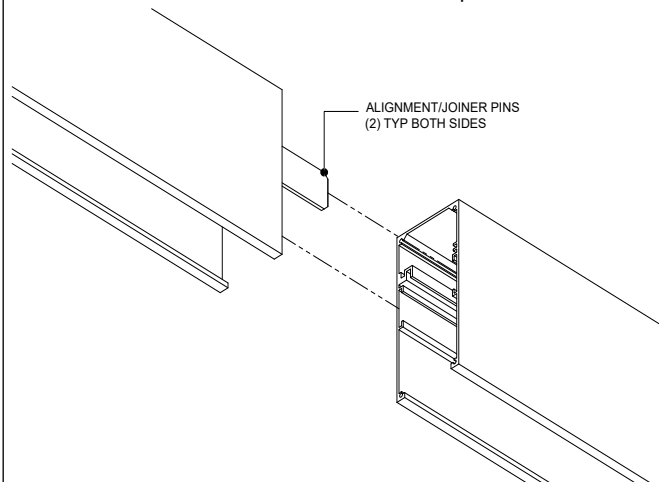
### Step A

Prior to installing the housing in ceiling. Connect power to fixture through wiring access plate by removing two screws that fasten the plate to the housing. Replace wiring access plate.



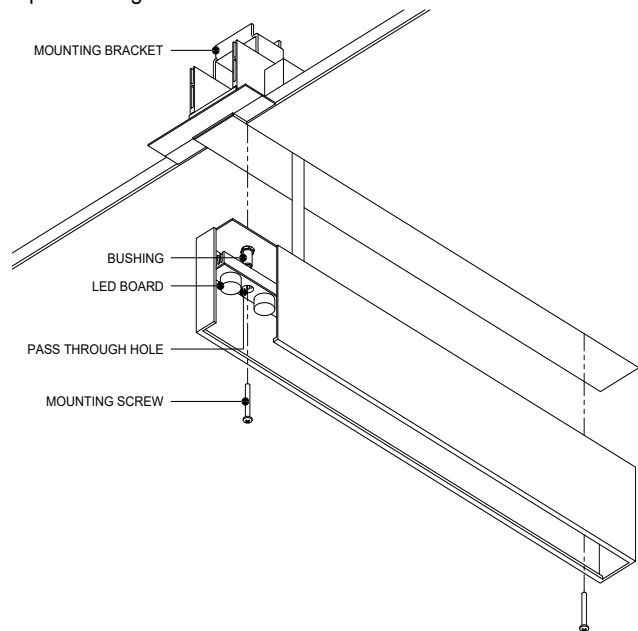
### Step C

For run lengths that require multiple sections. Lift housing into place until flush and aligned. Guide pin/joiner into corresponding slot. Mount fixture into frame as show on step B.



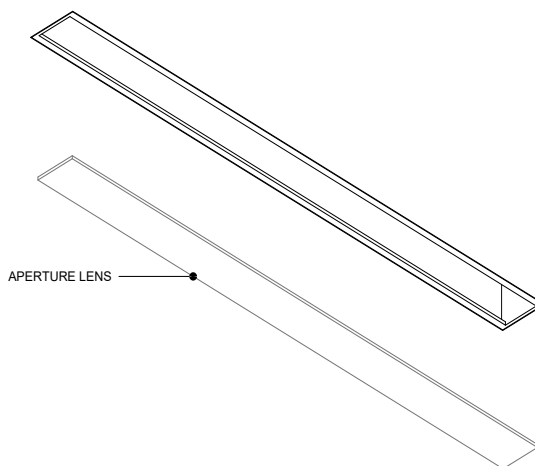
### Step B

Mount fixture with included screws through bushings to mounting brackets in frame. Taking care not to damage LED board around pass through.



### Step D

Install aperture lens, test with power.



**\*\* LED'S SHOULD BE PROTECTED FROM DUST AND DEBRIS DURING INSTALLATION AND MAINTENANCE**

[Click here to read full Care and Maintenance](#)