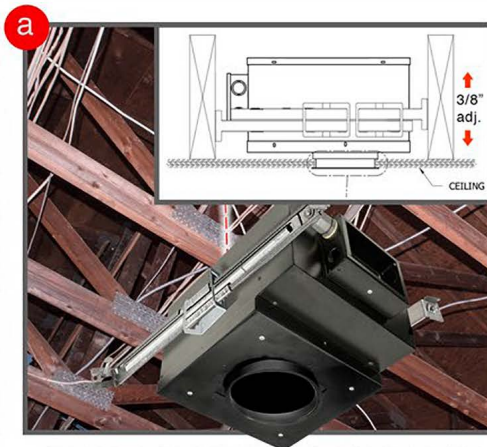
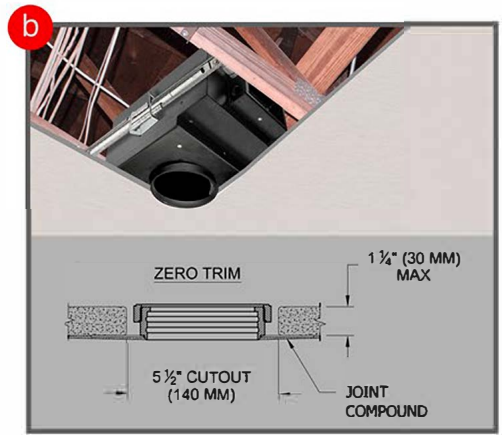




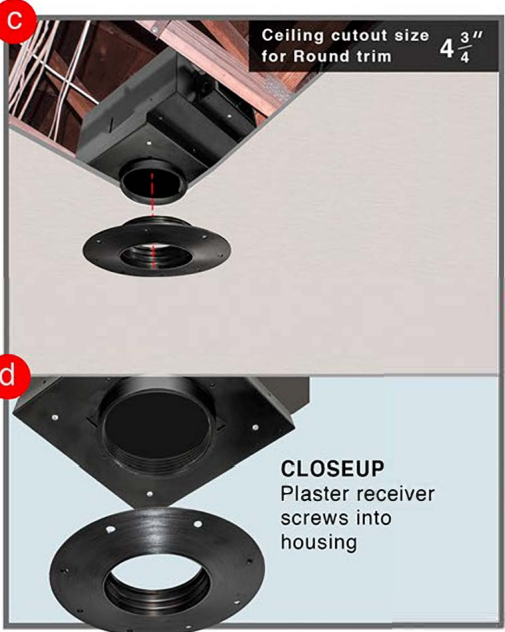
Exposed Ceiling Joists. Connect all wiring for housing before GWB installation.



Step A- Adjustable Mounting Rails anchor housing to ceiling joists with screws. Housing can be adjusted vertically. See Details above.



Step B- After housing is secured, finish ceiling installation.



Step C/D- Secure plaster receiver to housing by screwing receiver into housing.



Step E- With Plaster receiver tightly secure against GWB, add GWB screws to further secure plaster receiver.
Step F- Apply tape and joint compound (dry). Plaster over ceiling and receiver.



Step G- Multi-layer plaster job over GWB ceiling. Paint over plaster finish.

IMPORTANT
 Ball Plunger on round trim needs to click into grooves in plaster receiver

1016 & 1250
 uses Ball Plunger locking system

1000 & 1001
 uses J-hook. Align J hook with pin on housing, turn clockwise to lock

*Trim in view is 1016- Round Plaster flange

trims available

1000- Round Plaster

1250- Round Plaster

1001- Round Plaster

1016- Round Plaster

**Instruction sheet
 for Plaster install
 1000, 1001,
 1016, 1250**



Final step is to make sure trim is locked using either ball plungers or j-hook

NOTE- Fixture has vertical adjustability, except when plaster has been finished.

ROUND PLASTER CEILING INSTALLATION

