

Tenor 5 Flanged Continuous Installation Instructions

for JZT5-4C and JZT5-6C Flanged

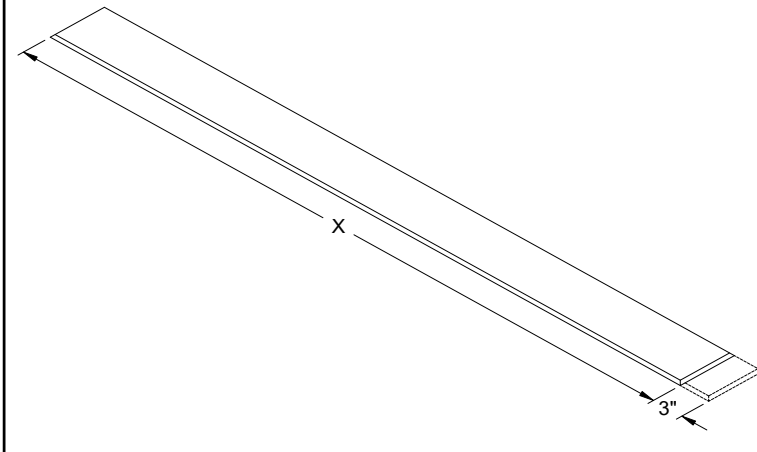


Cautions and Warnings

1. This product must be installed in accordance with the applicable installation code by a licensed electrician familiar with the construction and operation of the product and hazards involved.
2. Power must be OFF when connecting the fixture. "hot plugging" devices will damage the LED source.
3. The light engine is low voltage and is factory wired to the driver DO NOT CONNECT LIGHT ENGINE TO MAINS AC POWER.
4. Polarity is important. Black must be connected to black and red connected to red.

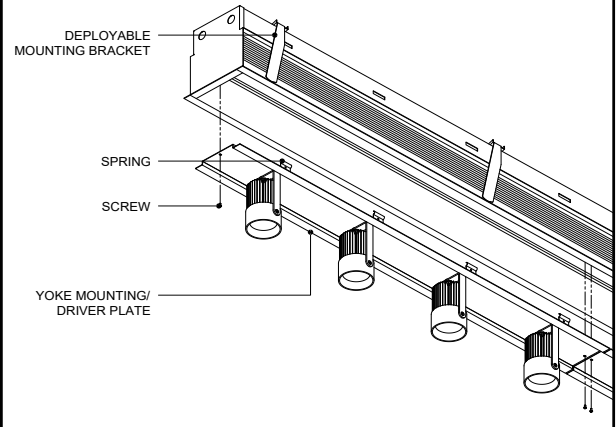
Step A

1. Refer to cutsheets for ceiling cutout dimensions based upon overall fixture length. Cut rectangular ceiling cut-out. Ceiling should be painted prior to installing fixture to prevent paint on overlapping flange. (For housings that are provided in multiple sections and require joining in the field, one of the ends should be left open to allow room for joining the fixture in the ceiling. This remaining ceiling section should be installed after housing is in place.



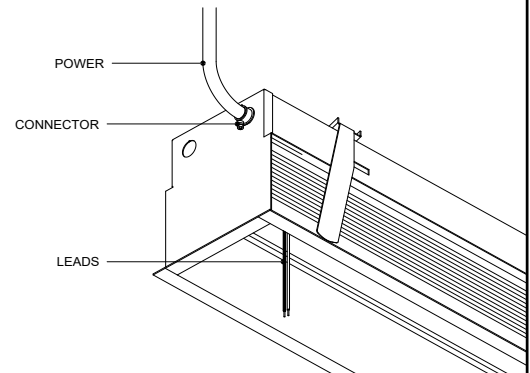
Step B

1. Remove yoke mounting/driver plates from housings by removing (2) screws and pulling until springs retaining plate in housing are clear of housing to get gain access to adjust deployable mounting bracket.



Step C

1. Prior to installing the housing in ceiling, connect power to housing at knock-out, leaving 6" leads in place for connections to yoke mounting plate and drivers.

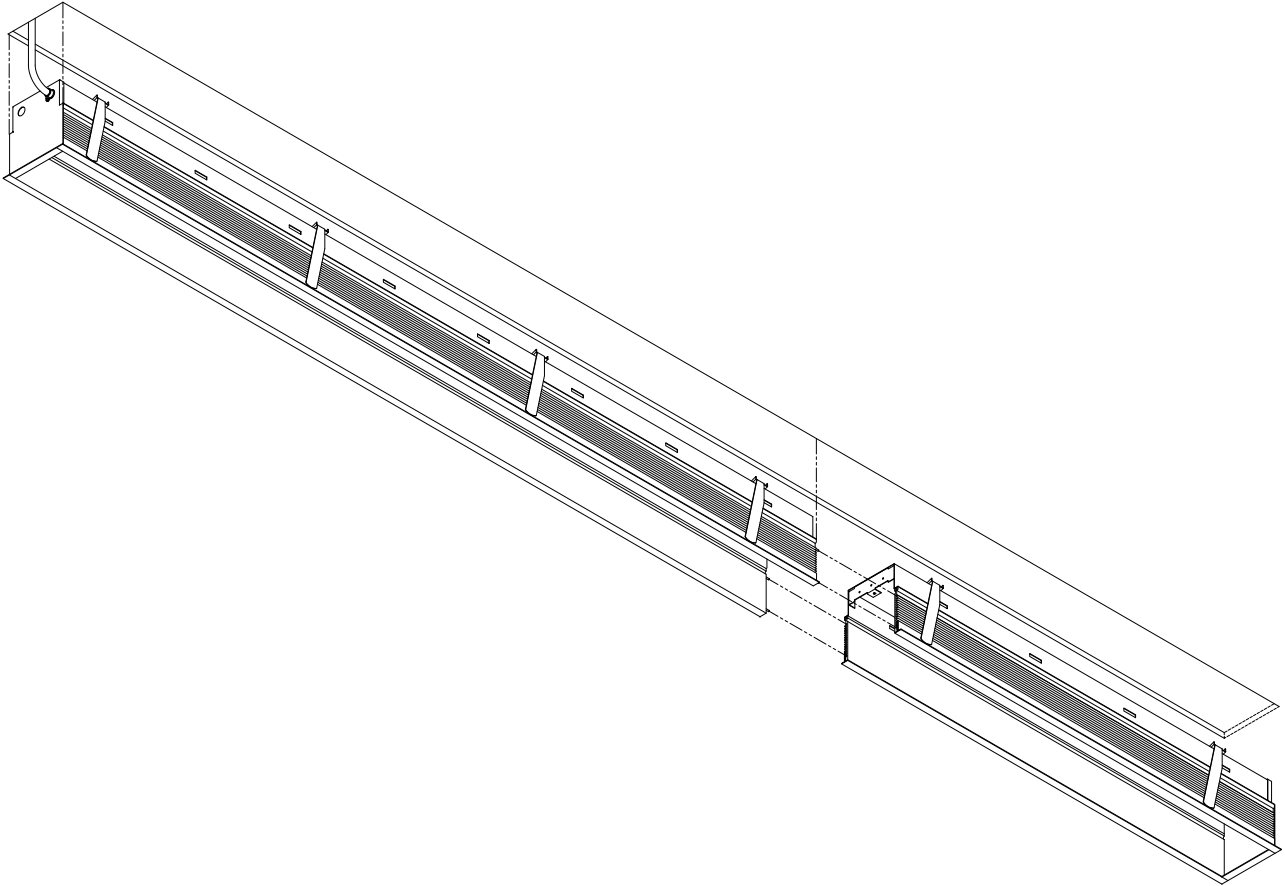


Tenor 5 Flanged Continuous Installation Instructions

for JZT5-4C and JZT5-6C Flanged

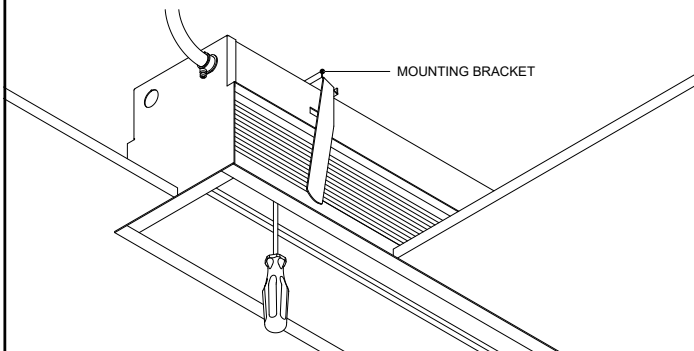
Step D

1. Lift housing into cut out until flange is in contact with ceiling and flush all around.



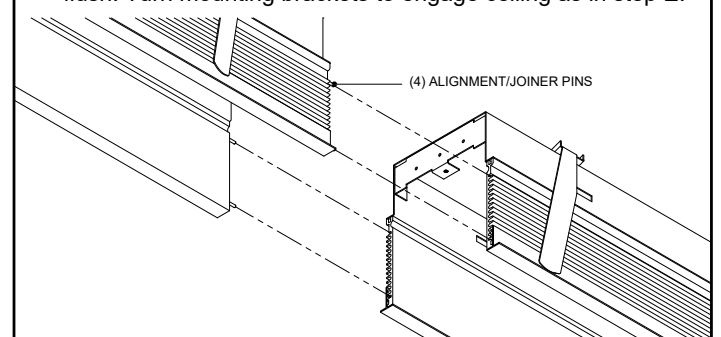
Step E

1. Turn mounting bracket adjustment screw until there is significant resistance. The mounting bracket should engage the ceiling. Repeat this for each mounting bracket.



Step F

1. Lift subsequent sections in place, using joiner pins to connect housings to each other. This may be pushed or tapped using a rubber mallet until the two extruded sides meet and are flush. Turn mounting brackets to engage ceiling as in step E.



Tenor 5 Flanged Continuous Installation Instructions

for JZT5-4C and JZT5-6C Flanged

Step G

1. Install remaining end ceiling section, finish and paint ceiling section taking care not to get paint or joint compound on flange.
2. Prior to reinstalling the yoke mounting/driver plates into housing, make electrical connection between housing and yoke mounting/driver plate, then secure plate to housing using supplied fasteners. Install subsequent plates, making electrical connections between plates and securing plates to housing until all plates are electrified and secured within housing. Turn on power to check electrical connection.

