

Single lamp, LED, recessed nominal 2" aperture down light. General downlighting in low to medium ceiling heights typically found in residential, commercial and retail applications. Suitable for new construction.

SPECIFICATIONS

HOUSING

- Precision die-formed heavy gauge aluminum

MOUNTING

- Recessed in architectural ceiling

ELECTRICAL

- Integral electronic driver with internal short circuit protection

LAMP

- Citizen or AmbientDim™ LED supplied with fixture

SOCKET

- Precision CNC machined lampholder assembly

LENS

- Interchangeable reflector provides multiple beam patterns.
- Optional borosilicate lenses available for aperture.

TRIM

- Aluminum reflector cone

FINISH

- Aperture trim available in numerous colors
- Additional colors and RAL palette available
- Consult factory for custom finishes

LABELS

-  , US tested to UL standards 1598, Wet or Damp location, JA8 Approved,

 Compliant

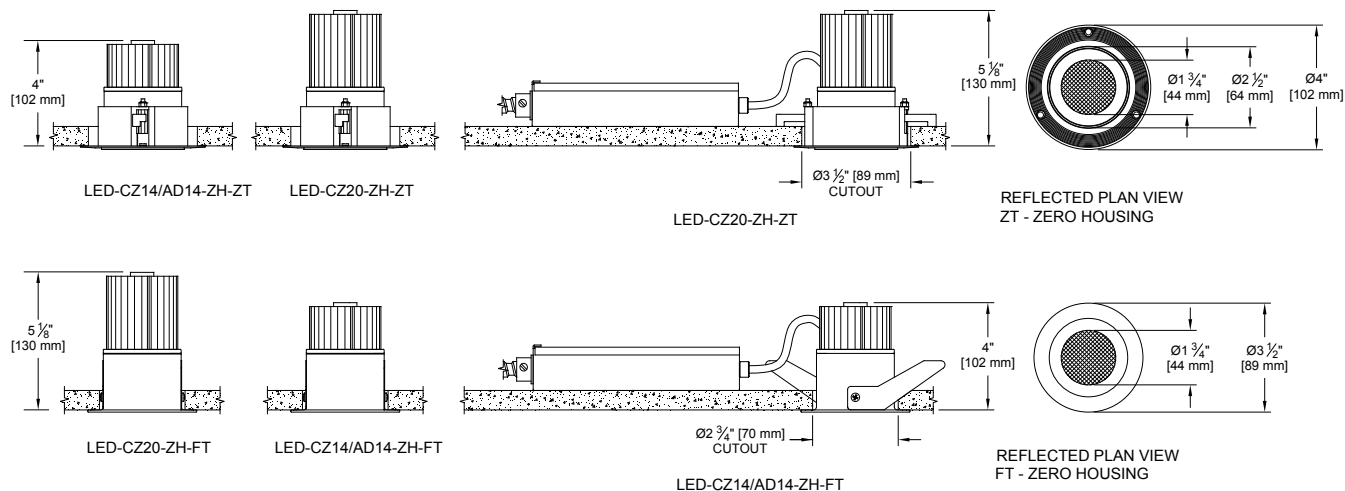
JOB: _____

SPECIFIER: _____

TYPE: _____

QUANTITY: _____

SIGNATURE: _____



ORDERING INFORMATION

4501-LED-ZH	TRIM	DRIVER / SOURCE	BEAMSPREAD	TRIM FINISH	APERTURE LENS
		/			
Zero Housing 9 = 90+CRI • 27 = 2700K • 30 = 3000K • 35 = 3500K • 40 = 4000K • AD = Ambient Dim Max 3000K-1900K	FT =Flanged Trim ST =Shower Trim* ZT =Zero Trim *Aperture lens required	<ul style="list-style-type: none"> CZ14=120-277v, 14W 1100lm CZ20=120-277v, 20W 2265lm AD14=350ma, 14.5W,1000lm <hr/> <ul style="list-style-type: none"> C1 =0-10V dimming, 1%, 120-277v C2 =TRIAC/ELV 2-wire, 1% 120v (Lead/Trail Edge) E1 =EldoLED 0-10V Logarithmic Dim, 0.1%, 120-277v E2 =EldoLED DALI, 0.1%, 120-277v E3 =EldoLED 0-10V Linear Dim, 0.1%, 120-277v L2 =Hi-lume 1% 2-wr LED driver (120v fwd phase) LTB =Hi-lume 1% EcoSys LED driver, 1%, 120-277v, Soft-on, Fade-to-Black 	Citizen 10 = 10 Degrees (CZ) 20 = 20 Degrees (CZ) Ambient Dim 15 = 15 Degrees (AD) 24 = 24 Degrees (AD)	P14 = White BLK =Black PXX = SLI Color XXXX = RAL# CST = Custom	Blank = None 79A = Veiling Acrylic 90A = Clear 91A = Solite

*ELDO and Lutron are remote mounted

• California Title 24- JA8 Approved