

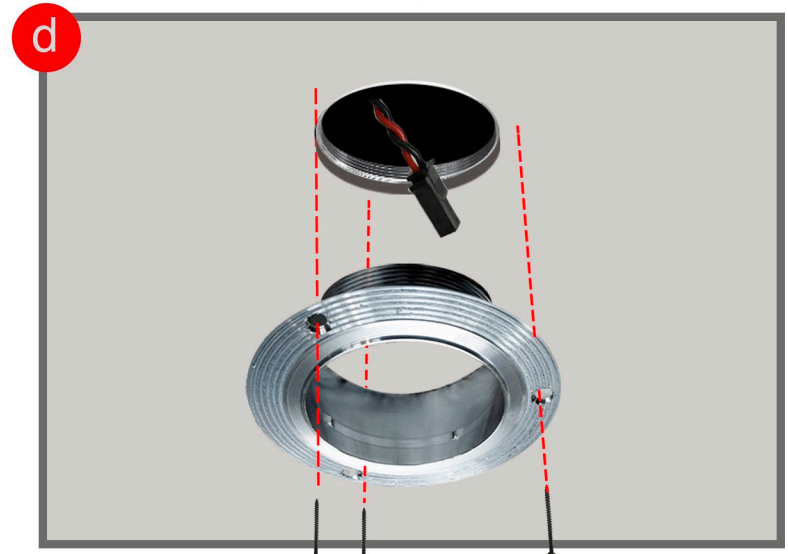
Step A / B- Insert mounting rails to brackets. Align bottom of pan to be flush with bottom of joists (no more than 1/8" higher). Slide telescoping rails to meet joist. Fasten to joist with protrusions on rails. If space is limited, Butterfly Brackets can be swapped as shown in Step B.



Step C- Cutout opening 2 7/8" for attachment of receiver. Assure electrical connection is accessible. **CAUTION:** Do not damage collar threads when cutting hole.



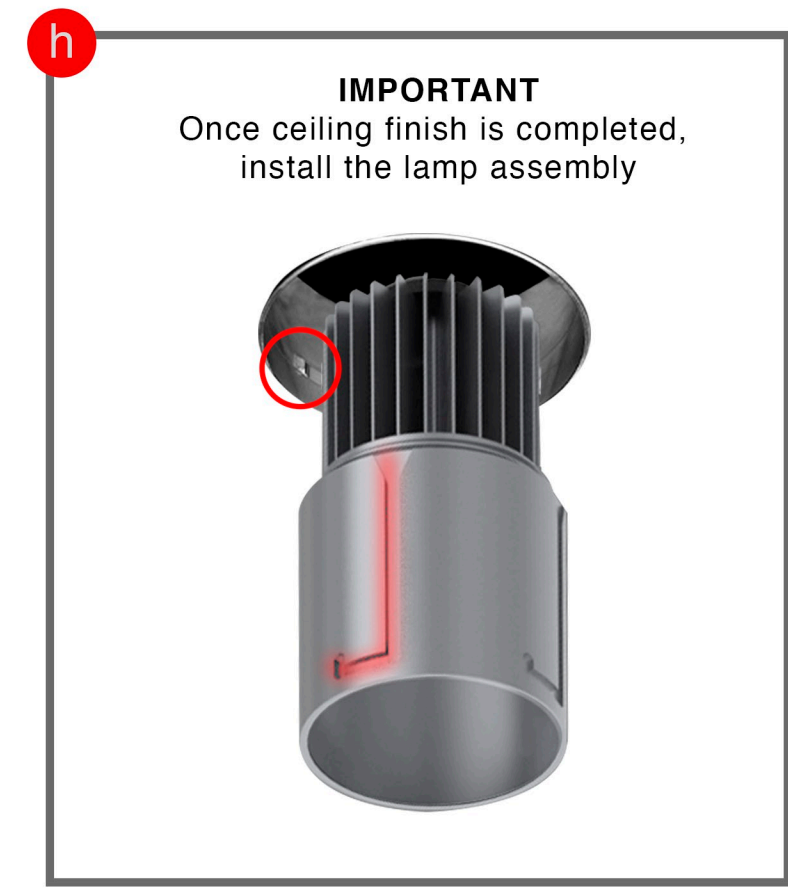
Step E- Plaster receiver flange.
Step F- Finish Ceiling. Assure no paint or other debris impede electrical connection or interfere with fixture attachment.



Step D - Thread receiver into collar until plaster flange is snug with the ceiling
Step D (optional) - secure receiver with GWB Screws



Step G- Make electrical connection



IMPORTANT
Once ceiling finish is completed, install the lamp assembly

Step H- Insert fixture by aligning notches on plaster receiver with J-Hooks on lamp assembly. Turn clockwise to end of travel and let fixture drop into place at bottom of J-Hook feature

Scope Original Round Downlight Flangeless trim for J-Hook installation Instruction Sheet

Note: This product must be installed in accordance with the applicable installation code by a person familiar with the construction and operation of the product hazards involved
It is recommended these products be installed by a qualified electrician.