

Installation Instructions Core 4" Rectangular 2 & 3 Light - Flangeless Plaster Mount

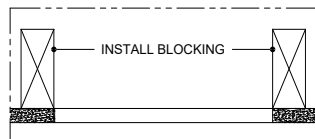
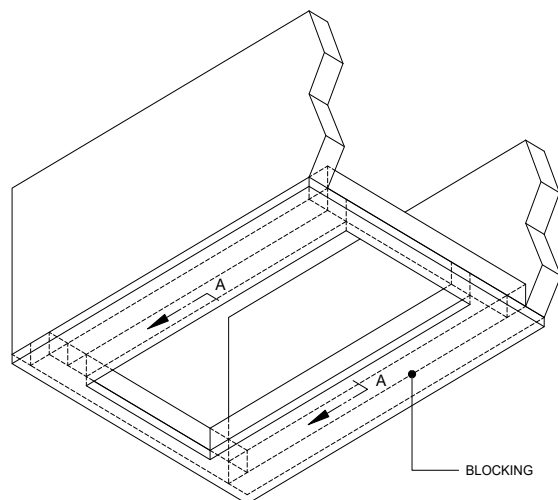
for CR4MD-TMHA, CR4MD-TMCA, CR4MDW-TMCA, CRWMWW-TMFH, CR4MWW-TMHA, CR4MWW-TMCA and CR4MWW-TMCF

Cautions and Warnings

1. This product must be installed in accordance with the applicable installation code by a licensed electrician familiar with the construction and operation of the product and hazards involved.
2. Power must be OFF when connecting the fixture. "hot plugging" the light engine and driver will damage the LED source.
3. The light engine is low voltage and is factory wired to the driver DO NOT CONNECT LIGHT ENGINE TO MAINS AC POWER.
4. LEDs should be protected from dust and debris during installation and maintenance.
5. Polarity is important. Black must be connected to black and red connected to red.

Step A

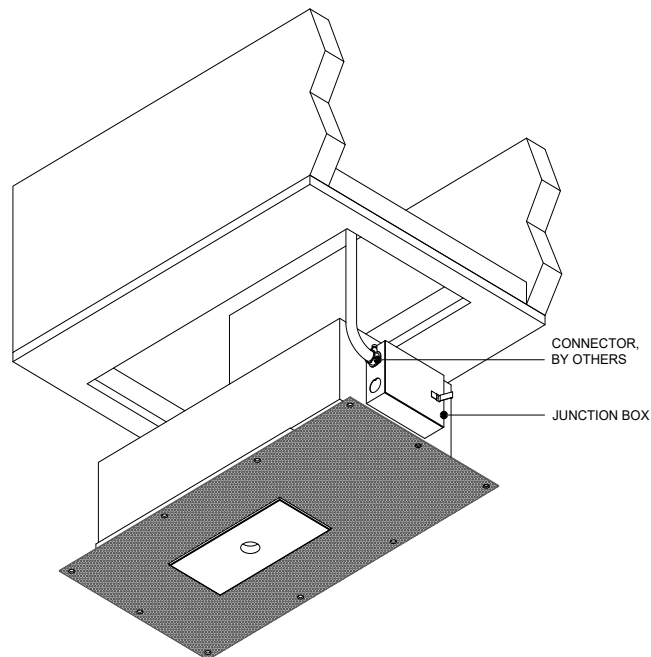
Refer to appropriate cutsheet for ceiling cutout dimensions. Install blocking tied to framing based upon ceiling cut-out dimensions. Cut rectangular ceiling cut-out and install sheetrock so that ceiling cut-outs and blocking align.



SECTION A - A

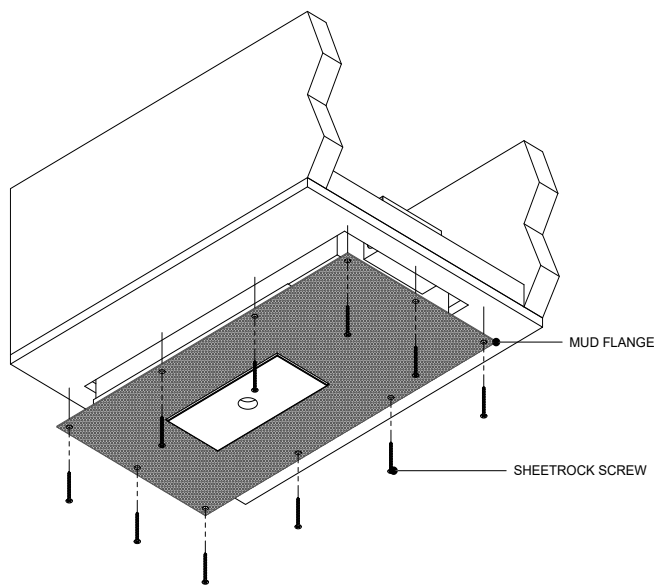
Step B

Prior to installing the housing in ceiling. Connect power to housing at junction box on housing.



Step C

Lift housing into cut-out until mud flange is in contact with ceiling and flush all around. Secure housing to ceiling/blocking using appropriately sized sheetrock screws to engage blocking by 3/4"



** LED'S SHOULD BE PROTECTED FROM DUST AND DEBRIS DURING INSTALLATION AND MAINTENANCE

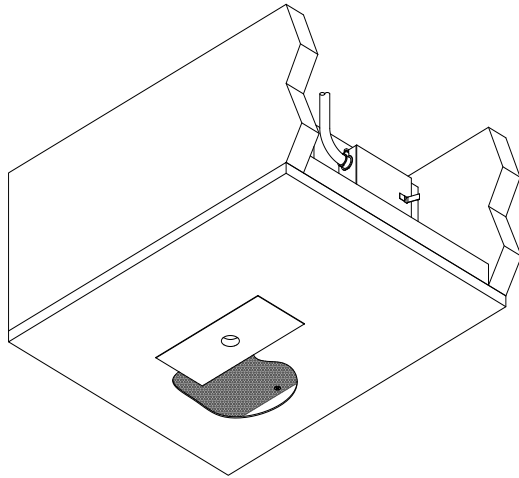
[Click here to read full Care and Maintenance](#)

Installation Instructions Core 4" Rectangular 2 & 3 Light - Flangeless Plaster Mount

for CR4MD-TMHA, CR4MD-TMCA, CR4MDW-TMCA, CRWMWW-TMFH, CR4MWW-TMHA, CR4MWW-TMCA and CR4MWW-TMCF

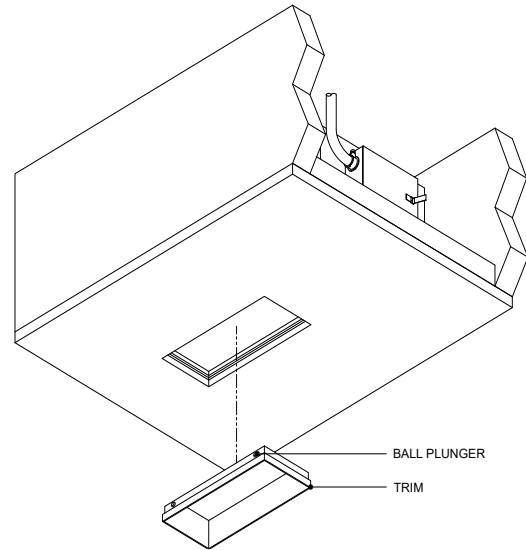
Step D

Finish ceiling, including mudding or plastering mud flange. (Take care not to get paint or joint compound inside throat.)



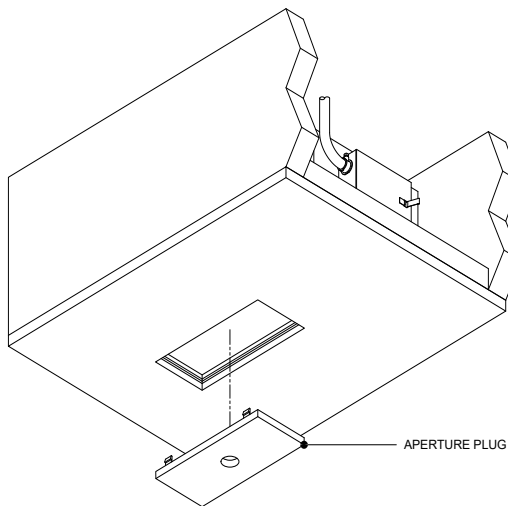
Step F

Push trim into throat until ball plungers catch the retainers.



Step E

After ceiling is finished, remove installed aperture plug.



Step G

Remove trim by pulling downward on trim until ball plungers disengage from throat.

