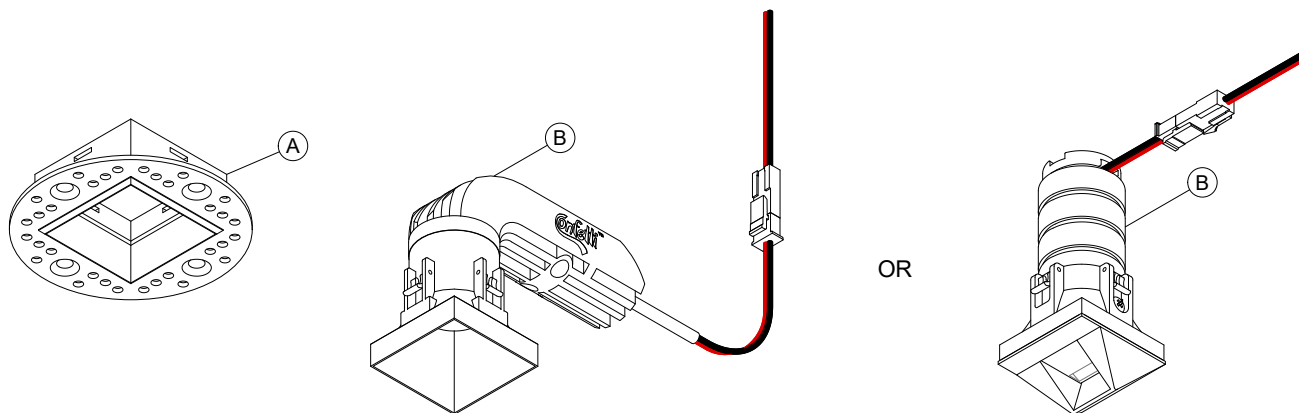


Confetti Square Flangeless Installation Instructions

for CF1 Type D-SF (Fixed Downlight), WW-S (Square Wall Wash)

What is in the Box?

- A. (1) Flangeless trim and receiver
- B. (1) Light engine with wire quick connects and harness with flying leads (Note: See Datasheet for remote driver wire run guidance.)



What you will need

1. Components in the box
2. Confetti Counter Bore Hole Saw (CFCBHS) - available for purchase - contact your local sales representative for ordering instructions.
3. Connectors compatible with 22ga. AWG, lever nut recommended
4. Tool suitable for squaring corners of round hole.
5. (2) #6 drywall screws ≤ 1 " in length.
6. Construction adhesive.
7. Painter's tape.

Cautions and Warnings

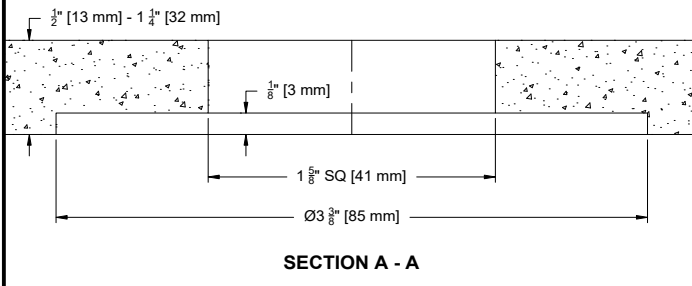
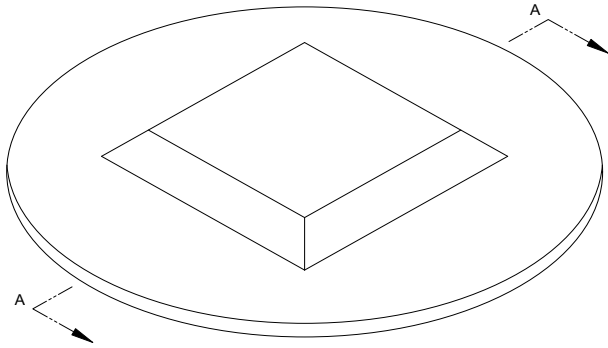
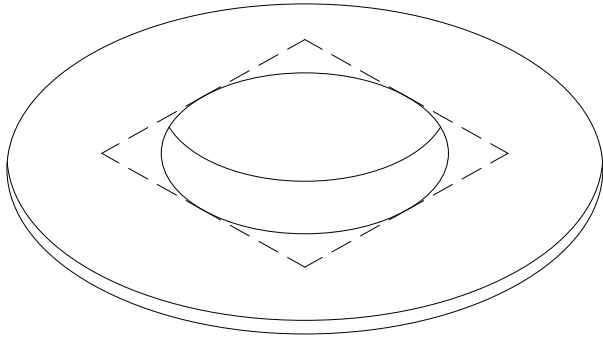
1. This product must be installed in accordance with the applicable installation code by a person familiar with the construction and operation of the product and hazards involved.
2. Power must be OFF when connecting the fixture. "hot plugging" devices will damage the LED source.
3. The light engine is low voltage and must be connected to the Confetti Driver Box. **DO NOT CONNECT LIGHT ENGINE TO MAINS AC POWER.**
4. Polarity is important. Positive, red (+) must be connected to positive, red (+) and negative, black (-) connected to negative, black (-).
5. **DO NOT** daisy chain devices. Each light engine must be connected to a Confetti Driver Box port - 4 ports per Confetti Driver Box.
6. Confetti is IC (insulated ceiling) rated but **NOT** for spray foam insulation.

Confetti Square Flangeless Installation Instructions

for CF1 Type D-SF (Fixed Downlight), WW-S (Square Wall Wash)

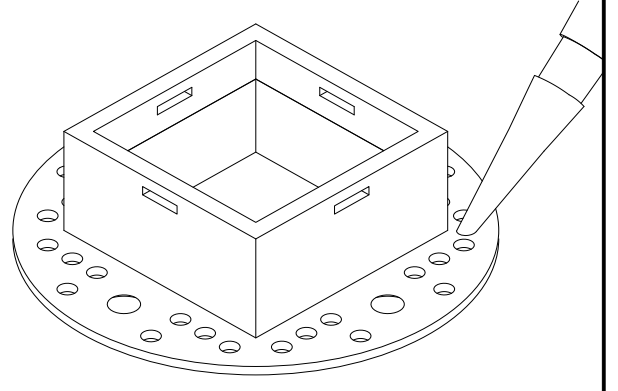
Step A

1. Cut hole and counter bore using Confetti Counter Bore Hole Saw (CFCBHS), square corners of round hole with suitable tool.



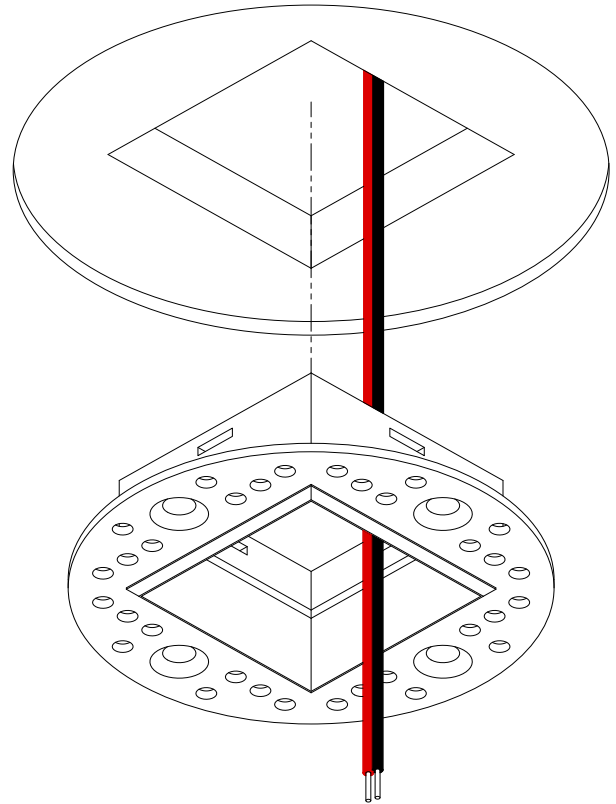
Step B

1. Place bead of construction adhesive around back side of plaster flange.



Step C

1. Pull low voltage wires through hole and plaster flange/receiver.
2. Insert plaster flange/receiver into hole.

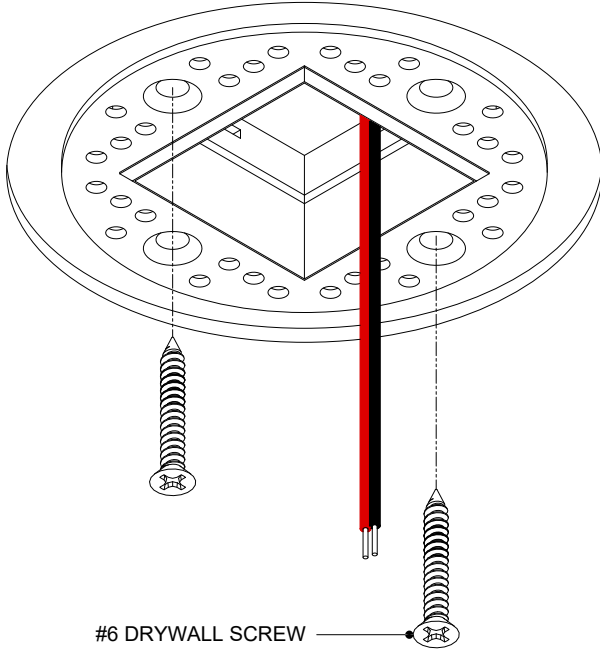


Confetti Square Flangeless Installation Instructions

for CF1 Type D-SF (Fixed Downlight), WW-S (Square Wall Wash)

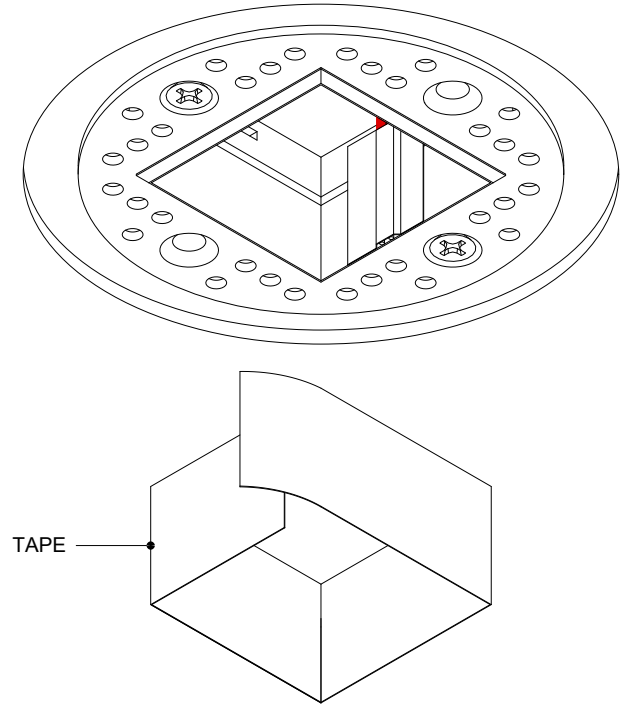
Step D

1. Fasten plaster flange/receiver to drywall with two #6 drywall screws.
2. Remove any extra construction adhesive protruding below surface of plaster flange/receiver.



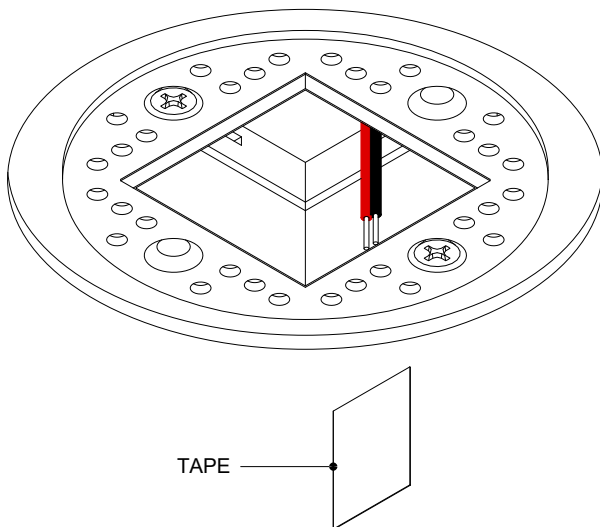
Step F

1. Mask inside surface of plaster flange with painter's tape to protect inside surface from debris, dirt and paint.



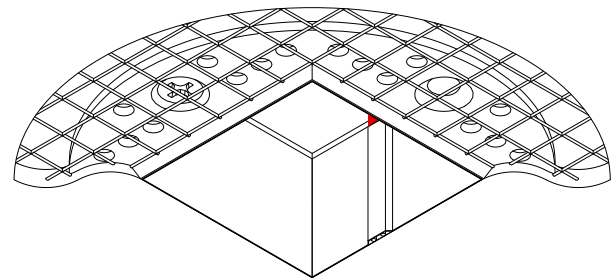
Step E

1. Secure low voltage wires to inside of plaster flange/receiver with tape. Allowing access after ceiling is finished.



Step G

1. Apply and finish joint compound over plaster flange to create flush continuous surface.
2. Paint ceiling assuring no paint enters inside of plaster flange/receiver.

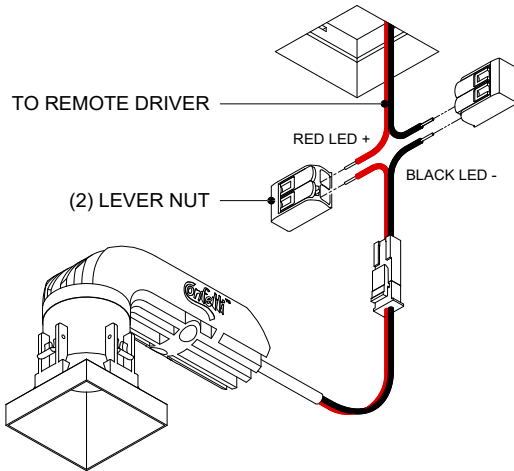


Confetti Square Flangeless Installation Instructions

for CF1 Type D-SF (Fixed Downlight), WW-S (Square Wall Wash)

Step H

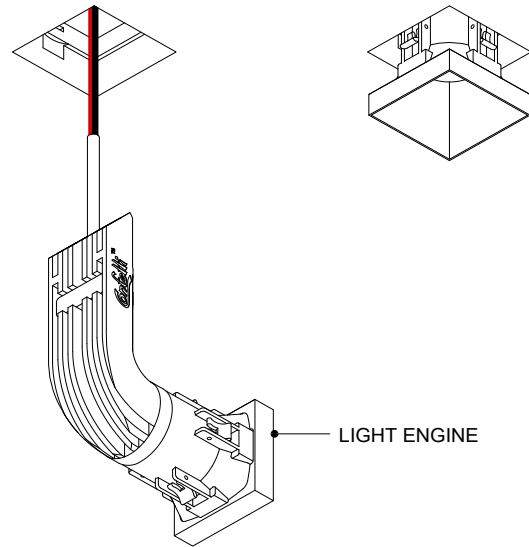
1. Remove tape from inside plaster flange/receiver assuring no contaminates or residue are inside receiver.
2. Pull low voltage wire through plaster flange/receiver hole.
3. Connect leads from light engine of their respective leads with included lever nuts. ASSURE RED (+) IS CONNECTED TO RED AND BLACK (-) IS CONNECTED TO BLACK.



Step J

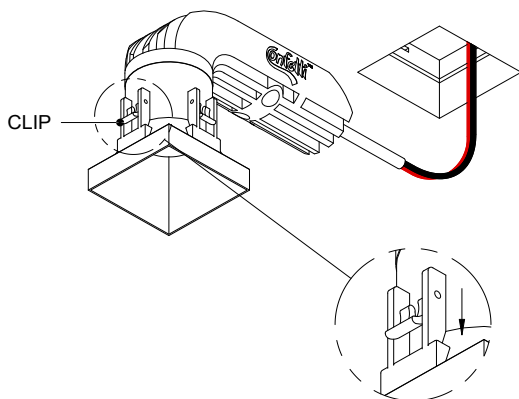
1. Insert the light engine into the plaster flange/receiver. Assure the light engine is "square" with trim/receiver and apply even pressure with both thumbs until the light engine snaps into place.

Note: Assure device is in first 'snap' position. Pushing past to the second 'snap' position will deploy clips to replacement mode and allow fixture to drop from receiver.



Step I

1. Ensure plastic attachment clips are in the down position.



Step K

1. To remove light engine apply even upward pressure until you hear the clips 'snap' to second position. The light will drop down through the hole. Repeat steps "I" and "J" to reinstall light engine.

