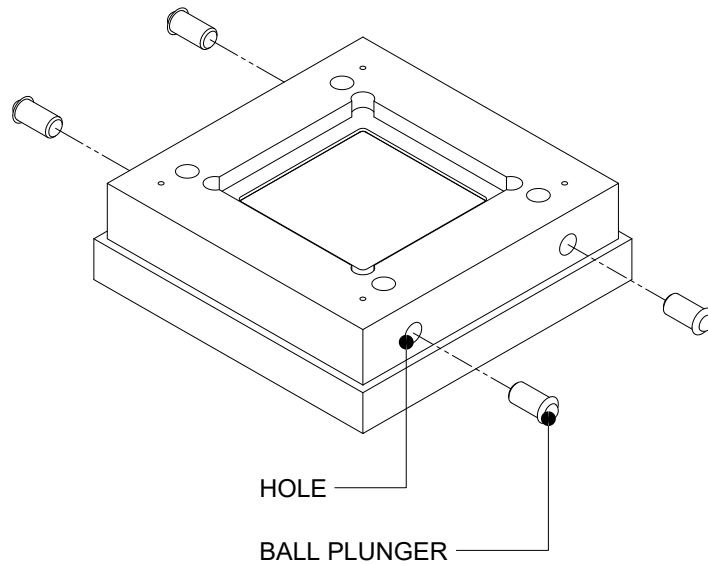


Installation Instructions Core Square Wood Trim

for CR4D-SA, CR4D-SF, CR4MD-SDH, CRV4D-SA, CR4WW-SF and CRWW-SA

1. Press provided ball plungers into holes.

Note: Finishing of wood trim should be performed before installation of hardware to prevent damage to hardware from finishing products.



1. Install lens and retaining clip with included screws.

