

Installation Instructions Core 4" Square Cylinder - Surface Mount

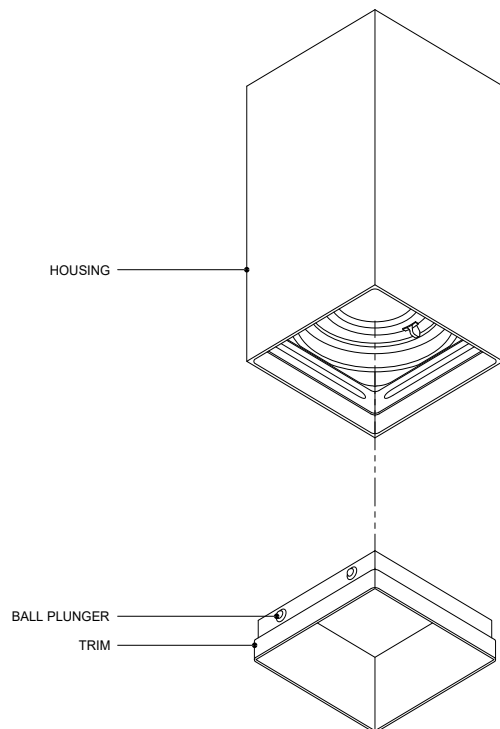
for CR4CD-SF-SM and CR4CWW-SF

Cautions and Warnings

1. This product must be installed in accordance with the applicable installation code by a licensed electrician familiar with the construction and operation of the product and hazards involved.
2. Power must be OFF when connecting the fixture. "hot plugging" the light engine and driver will damage the LED source.
3. The light engine is low voltage and is factory wired to the driver DO NOT CONNECT LIGHT ENGINE TO MAINS AC POWER.
4. LEDs should be protected from dust and debris during installation and maintenance.
5. Polarity is important. Black must be connected to black and red connected to red.
6. Not designed for use as temporary lighting.

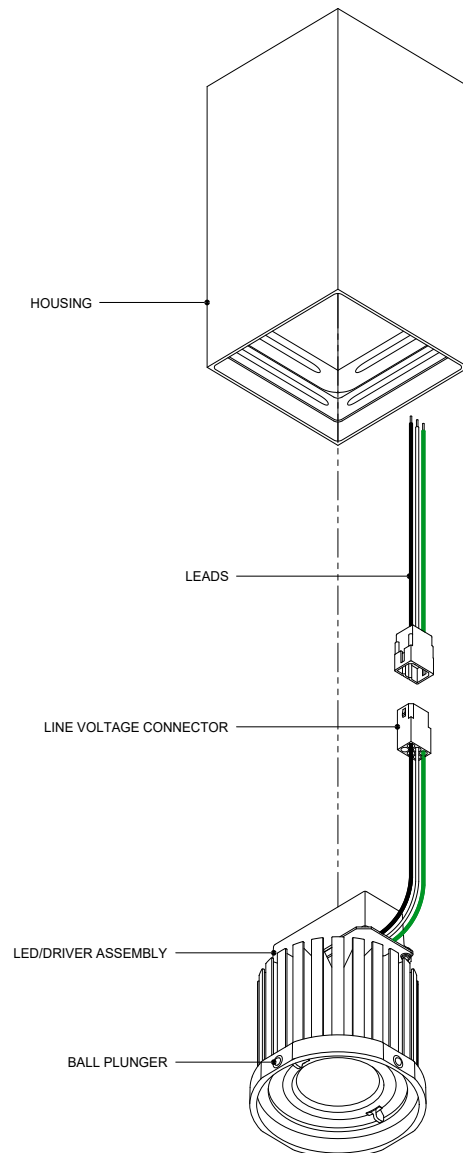
Step A

Remove trim from housing, pulling trim until ball plungers are clear of housing.



Step B

Remove LED/driver assembly, pulling assembly from housing until ball plungers are clear of housing. Disconnect line voltage connector from LED/driver assembly and set lead aside.



**** LED'S SHOULD BE PROTECTED FROM DUST AND DEBRIS DURING INSTALLATION AND MAINTENANCE**

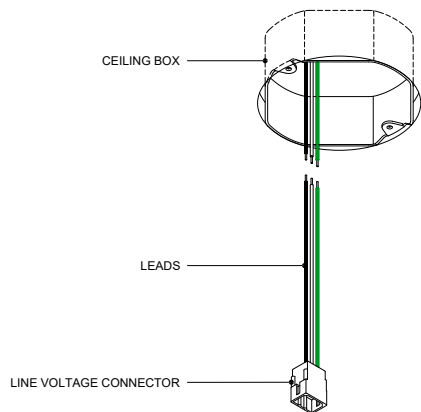
[Click here to read full Care and Maintenance](#)

Installation Instructions Core 4" Square Cylinder - Surface Mount

for CR4CD-SF-SM and CR4CWW-SF

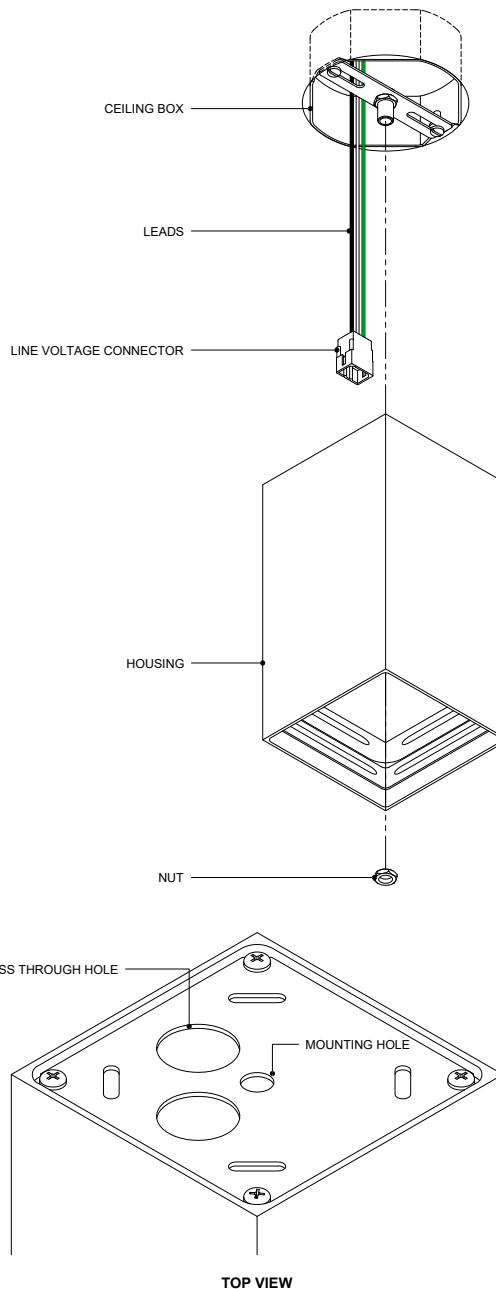
Step C

Using securely mounted 4" octagonal/round ceiling box, connect leads with line voltage connector to main power and dimming controls.



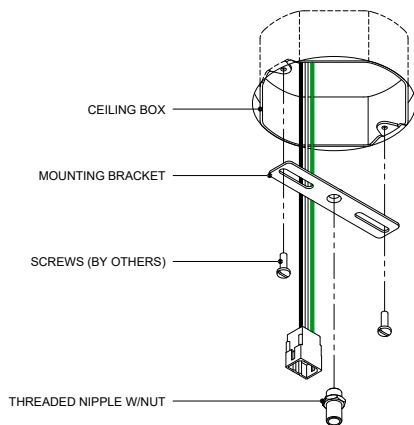
Step E

Mount housing to mounting bracket, using threaded nipple through mounting hole. Secure housing with nut to nipple inside of housing. ensure connector and lead are fed through pass through holes on top of housing shown in top view.



Step D

Install mounting bracket to securely mounted 4" octagonal/round ceiling box using two screws (by others) through slots into ceiling box. Install threaded nipple into threaded hole in mounting bracket, using nut to set length necessary to install housing securely to ceiling.

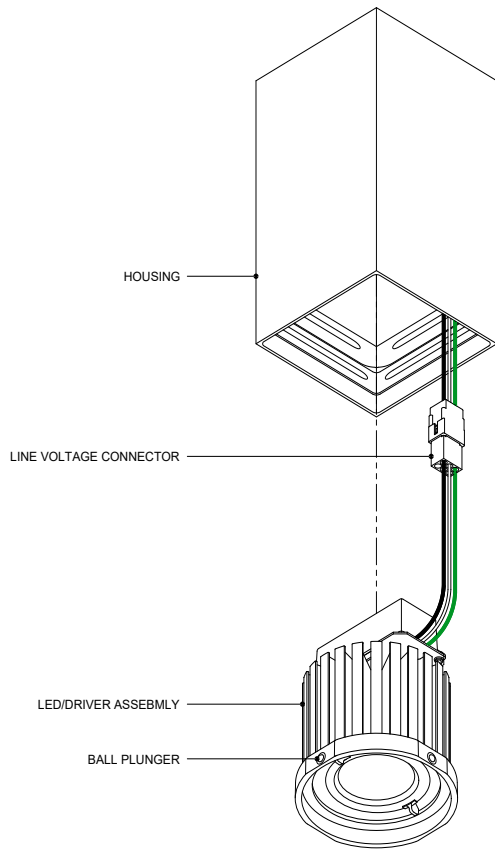


Installation Instructions Core 4" Square Cylinder - Surface Mount

for CR4CD-SF-SM and CR4CWW-SF

Step F

Reinstall LED/driver assembly. Connect line voltage connector. Reconnect any safety cables. Push assembly into housing until ball plungers engage housing securely.



Step G

Reinstall trim, push trim into housing until ball plungers engage housing securely.

