

REVISIONS			
REV.	BY	DATE	DESCRIPTION
A	JDF	7/14/2014	ORIGINAL ISSUE

STEP #1
PRINT THIS SHEET AT FULL SCALE.

WHEN PRINTING IN ADOBE,
UNDER SIZE OPTIONS:
CHOOSE (ACTUAL SIZE).

CUT OUT TEMPLATE.

MAKE SURE OVERALL HEIGHT OF
TEMPLATE IS 4 1/4" BEFORE YOU
CUT. IF IT IS NOT, YOU HAVE NOT
PRINTED THIS SHEET CORRECTLY.

PROPRIETARY AND CONFIDENTIAL
THE INFORMATION CONTAINED IN THIS
DRAWING IS THE SOLE PROPERTY OF
SPECIALTY LIGHTING INDUSTRIES INC. ANY
REPRODUCTION IN PART OR AS A WHOLE
WITHOUT THE WRITTEN PERMISSION OF
SPECIALTY LIGHTING INDUSTRIES INC. IS
PROHIBITED.

		UNLESS OTHERWISE SPECIFIED:
		DIMENSIONS ARE IN INCHES TOLERANCES: FRACTIONAL: ± 1/64 ANGULAR: ± 0.5 TWO PLACE DECIMAL: ± .01 THREE PLACE DECIMAL: ± .005
		INTERPRET GEOMETRIC TOLERANCING PER:
		MATERIAL ----
		FINISH ----
NEXT ASSY	USED ON	
APPLICATION		DO NOT SCALE DRAWING

	NAME	DATE
DRAWN	JDF	7/14/14
CHECKED		
ENG APPR.		
MFG APPR.		
Q.A.		
COMMENTS:		



**SPECIALTY LIGHTING
INDUSTRIES, INC.**

TITLE: 2101/2102 FLANGED
INSTALLATION
INSTRUCTIONS

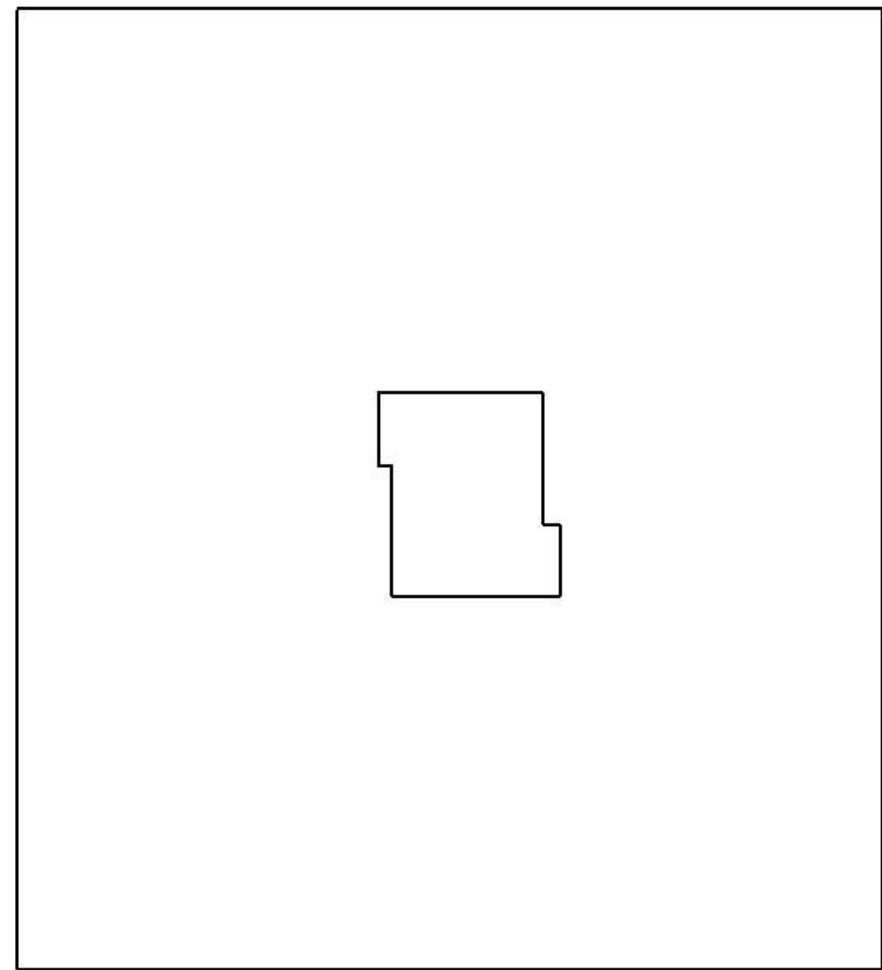
SIZE	DWG. NO.	REV
A	2101-2102 FL-INSTR	A
SCALE: 1:1	WEIGHT:	SHEET 1 OF 5

1 2 3 4 5 6 7 8

A

B

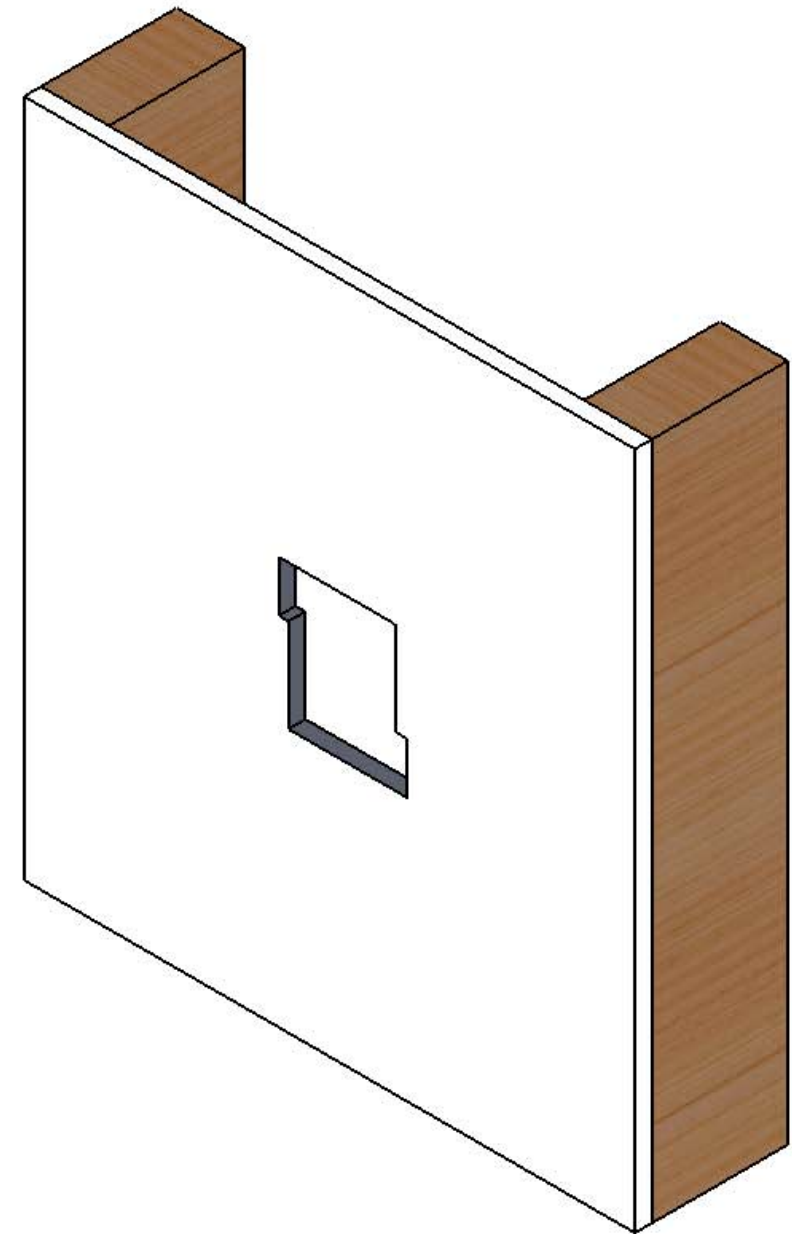
C



A

B

C

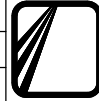


STEP #2
TRACE TEMPLATE AND CUT OUT
HOLE IN DRYWALL USING TEMPLATE.

D

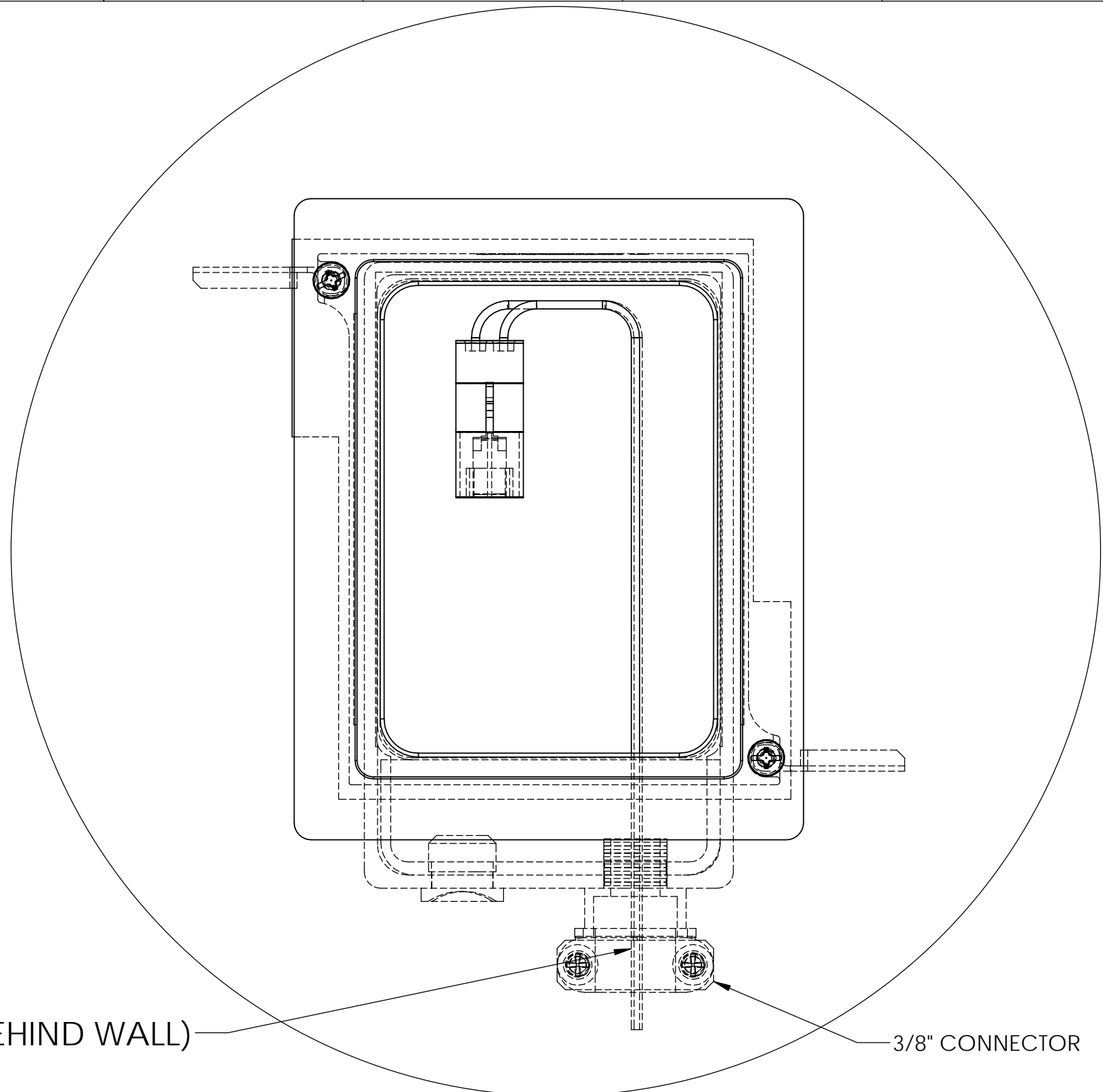
D

PROPRIETARY AND CONFIDENTIAL
THE INFORMATION CONTAINED IN THIS DRAWING IS THE SOLE PROPERTY OF SPECIALTY LIGHTING INDUSTRIES INC. ANY REPRODUCTION IN PART OR AS A WHOLE WITHOUT THE WRITTEN PERMISSION OF SPECIALTY LIGHTING INDUSTRIES INC. IS PROHIBITED.


		UNLESS OTHERWISE SPECIFIED:		NAME	DATE	 SPECIALTY LIGHTING INDUSTRIES, INC. TITLE: 2101/2102 FLANGED INSTALLATION INSTRUCTIONS
		DIMENSIONS ARE IN INCHES	DRAWN	JDF	7/14/14	
		TOLERANCES:	CHECKED			
		FRACTIONAL: ± 1/64	ENG APPR.			
		ANGULAR: ± 0.5	MFG APPR.			
		TWO PLACE DECIMAL : ± .01	Q.A.			SIZE DWG. NO. REV B 2101-2102 FL-INSTR A
		THREE PLACE DECIMAL: ± .005	COMMENTS:			
		INTERPRET GEOMETRIC TOLERANCING PER:				SCALE: 1:8 WEIGHT: SHEET 2 OF 5
		MATERIAL				
		FINISH				
NEXT ASSY	USED ON					
APPLICATION		DO NOT SCALE DRAWING				

1 2 3 4 5 6 7 8

STEP #3
NEAR MOUNTING LOCATION IN WALL,
PLACE CONNECTOR WITH PIGTAILS INSIDE
RECEIVER BOX AND CONNECT PIGTAILS TO
POWER FEED FOR FIXTURE.



PROPRIETARY AND CONFIDENTIAL
 THE INFORMATION CONTAINED IN THIS DRAWING IS THE SOLE PROPERTY OF SPECIALTY LIGHTING INDUSTRIES INC. ANY REPRODUCTION IN PART OR AS A WHOLE WITHOUT THE WRITTEN PERMISSION OF SPECIALTY LIGHTING INDUSTRIES INC. IS PROHIBITED.

		UNLESS OTHERWISE SPECIFIED:		NAME	DATE	 SPECIALTY LIGHTING INDUSTRIES, INC.	
		DIMENSIONS ARE IN INCHES TOLERANCES: FRACTIONAL: ± 1/64 ANGULAR: ± 0.5 TWO PLACE DECIMAL : ± .01 THREE PLACE DECIMAL: ± .005		DRAWN	JDF		7/14/14
		INTERPRET GEOMETRIC TOLERANCING PER:		CHECKED			
		MATERIAL		ENG APPR.			
		FINISH		MFG APPR.			
NEXT ASSY		USED ON		Q.A.			
APPLICATION		DO NOT SCALE DRAWING		COMMENTS:			
				TITLE:		2101/2102 FLANGED INSTALLATION INSTRUCTIONS	
				SIZE	DWG. NO.	REV	
				B	2101-2102 FL-INSTR	A	
				SCALE: 1:8	WEIGHT:	SHEET 3 OF 5	

A

B

C

D

A

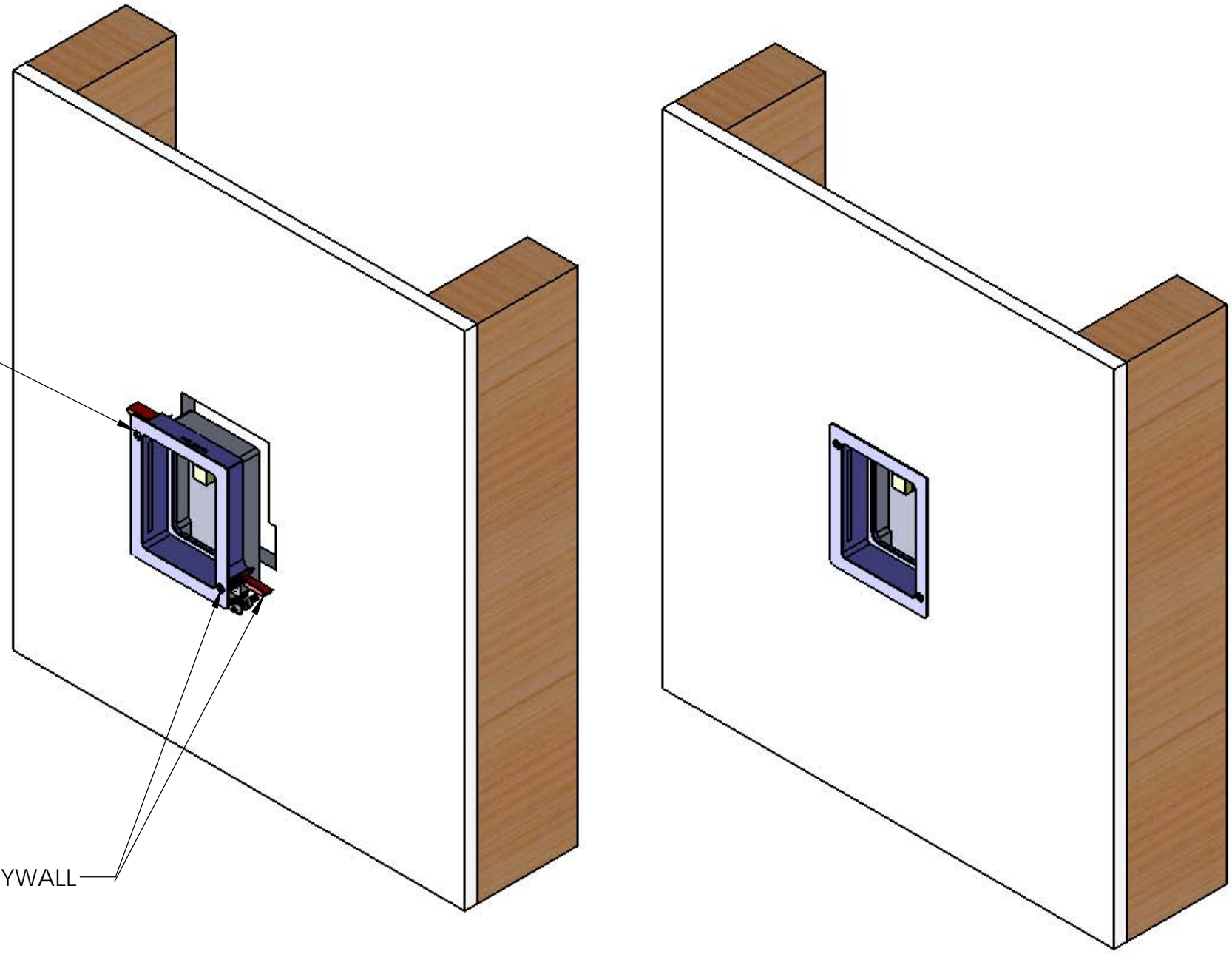
B

C

D

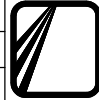
SECURE SCREWS
IN CORNERS
(TYP.)(2X)

SECURE CLAMP TO DRYWALL



STEP #4
WITH POWER CONNECTED TO CONNECTOR INSIDE BOX,
PUT BOX IN WALL. SECURE WITH DRYWALL SCREWS AND CLAMPS.

PROPRIETARY AND CONFIDENTIAL
 THE INFORMATION CONTAINED IN THIS DRAWING IS THE SOLE PROPERTY OF SPECIALTY LIGHTING INDUSTRIES INC. ANY REPRODUCTION IN PART OR AS A WHOLE WITHOUT THE WRITTEN PERMISSION OF SPECIALTY LIGHTING INDUSTRIES INC. IS PROHIBITED.

		UNLESS OTHERWISE SPECIFIED:		NAME	DATE	 SPECIALTY LIGHTING INDUSTRIES, INC.	
		DIMENSIONS ARE IN INCHES		DRAWN	JDF		7/14/14
		TOLERANCES:		CHECKED			
		FRACTIONAL: ± 1/64		ENG APPR.			
		ANGULAR: ± 0.5		MFG APPR.			
		TWO PLACE DECIMAL: ± .01		Q.A.			
		THREE PLACE DECIMAL: ± .005		COMMENTS:			
		INTERPRET GEOMETRIC TOLERANCING PER:					
		MATERIAL					
		FINISH					
NEXT ASSY	USED ON						
APPLICATION		DO NOT SCALE DRAWING					
				TITLE:		2101/2102 FLANGED INSTALLATION INSTRUCTIONS	
SIZE		DWG. NO.		REV			
B		2101-2102 FL-INSTR		A			
SCALE: 1:8		WEIGHT:		SHEET 4 OF 5			

1 2 3 4 5 6 7 8

A

B

C

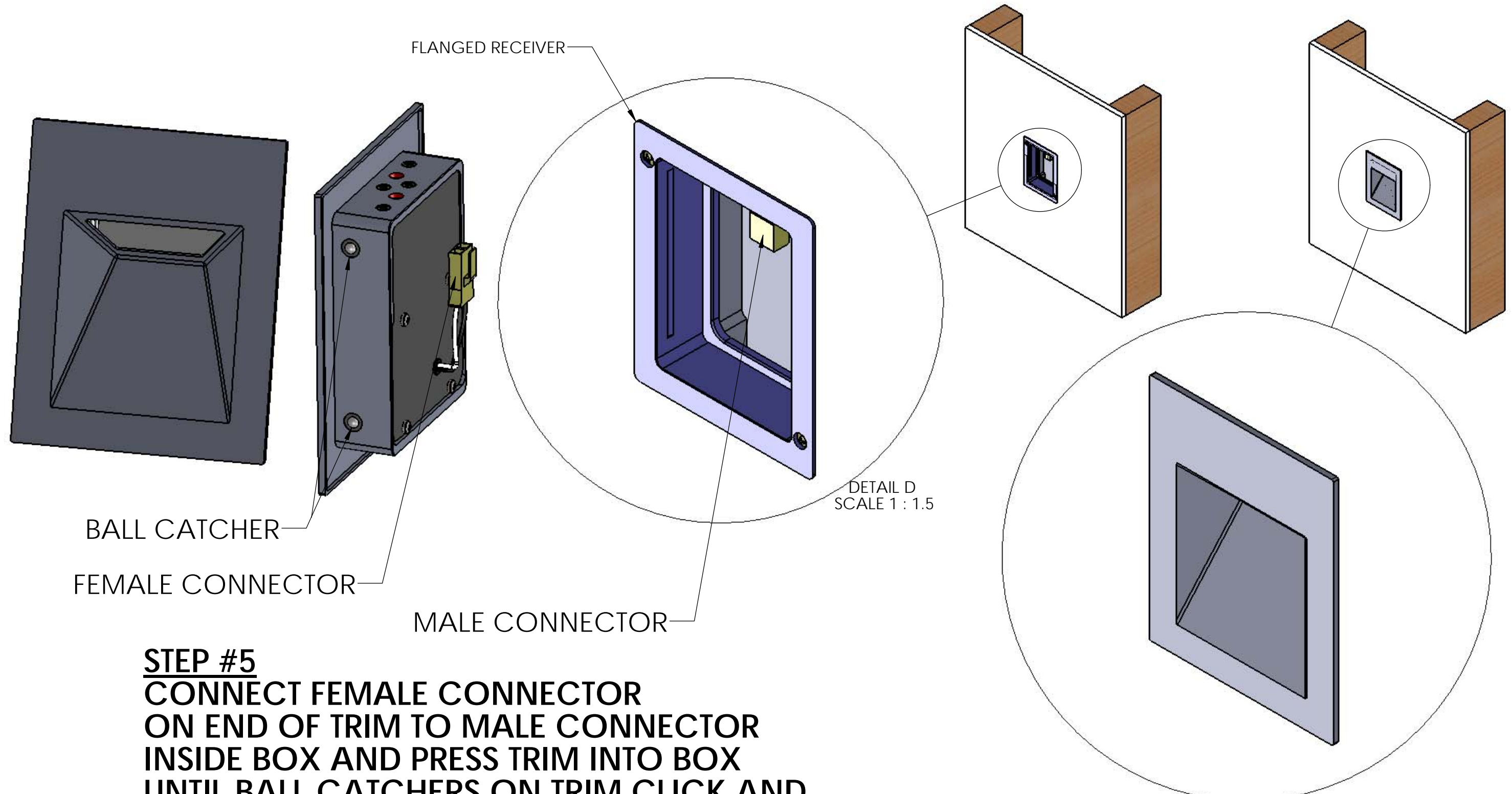
D

A

B

C

D



BALL CATCHER

FEMALE CONNECTOR


FLANGED RECEIVER

MALE CONNECTOR

DETAIL D
SCALE 1 : 1.5

STEP #5
CONNECT FEMALE CONNECTOR
ON END OF TRIM TO MALE CONNECTOR
INSIDE BOX AND PRESS TRIM INTO BOX
UNTIL BALL CATCHERS ON TRIM CLICK AND
SECURELY LOCK TRIM INTO BOX AND
OVER FLANGED RECEIVER.

PROPRIETARY AND CONFIDENTIAL
 THE INFORMATION CONTAINED IN THIS
 DRAWING IS THE SOLE PROPERTY OF
 SPECIALTY LIGHTING INDUSTRIES INC. ANY
 REPRODUCTION IN PART OR AS A WHOLE
 WITHOUT THE WRITTEN PERMISSION OF
 SPECIALTY LIGHTING INDUSTRIES INC. IS
 PROHIBITED.

		UNLESS OTHERWISE SPECIFIED:		NAME	DATE	 SPECIALTY LIGHTING INDUSTRIES, INC.	
		DIMENSIONS ARE IN INCHES		DRAWN	JDF		7/14/14
		TOLERANCES:		CHECKED			
		FRACTIONAL: ± 1/64		ENG APPR.			
		ANGULAR: ± 0.5		MFG APPR.			
		TWO PLACE DECIMAL: ± .01		Q.A.			
		THREE PLACE DECIMAL: ± .005		COMMENTS:			
		INTERPRET GEOMETRIC TOLERANCING PER:					
		MATERIAL					
		FINISH					
NEXT ASSY	USED ON						
APPLICATION		DO NOT SCALE DRAWING					
				TITLE:		2101/2102 FLANGED INSTALLATION INSTRUCTIONS	
SIZE	DWG. NO.			REV			
B	2101-2102 FL-INSTR			A			
SCALE: 1:8		WEIGHT:		SHEET 5 OF 5			

1 2 3 4 5 6 7 8